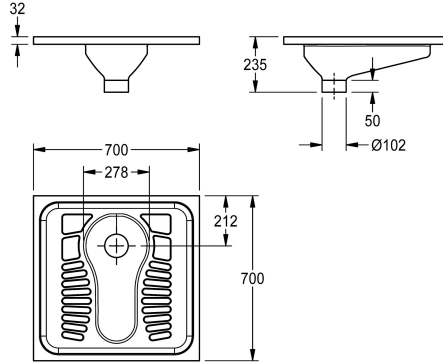


## KWC CAMPUS Squat pan

Modell-Linie: **CAMPUS | CMPX503N**  
WCs and urinals | Squat pans



### KWC-No.

**2030018490**

Dimensions 700 x 235 x 700 mm (W x H x D)

**2030023692**

Version without spreader

Squat pan for recessed or inset mounting, stainless steel, surface satin finished, material thickness 1.2 mm, DN 100 waste, drainage into ground, slip resistant patterned foot tread plate areas, suitable for recessed mounting into floor.

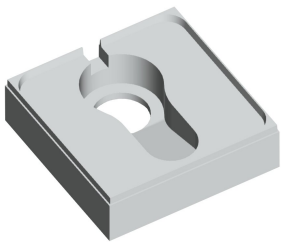
Without Spreader or Inlet Hole.  
Dimensions 700 x 235 x 700 mm (W x H x D)

### Technical Data

material	stainless steel
material code	1.4301 Chrome Nickel steel V2A
material thickness	1.2 mm
minimum flushing capacity	6 Liter
outlet size	DN 100
overall depth	700 mm
overall height	235 mm
overall width	700 mm
surface finish	satin finished
type of mounting	inset floor mounting
type of toilet seat	no seat
type of WC	squat-pan

material	stainless steel
material code	1.4301 Chrome Nickel steel V2A
material thickness	1.2 mm
minimum flushing capacity	6 Liter
outlet size	DN 100
overall depth	700 mm
overall height	235 mm
overall width	700 mm
surface finish	satin finished
type of mounting	inset floor mounting
type of toilet seat	no seat
type of WC	squat-pan

### Optional Accessories





## KWC CAMPUS

Squat pan

Modell-Linie: **CAMPUS | CMPX503N**  
WCs and urinals | Squat pans

**CAMPUS mounting support for squat  
toilet**

**2030027861**  
ZCMPX0011

**Trap**

**2000102734**  
ZCMPX003

**Trap**

**2000102733**  
ZCMPX002