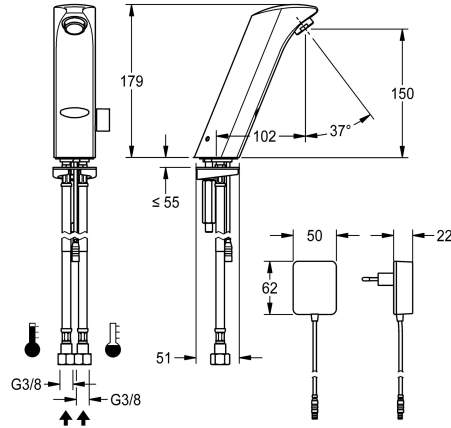


KWC PROTRONIC-S

Electronic pillar mixer with plug-in power supply unit

Modell-Linie: PROTRONIC-S | PRTRS0009

Taps | Electronic taps



KWC-No.

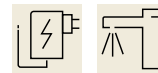
2030025078

PROTRONIC-S mains-supplied washbasin mixer with touch-free operation, DN 15 with aerator and integrated flow control, for connection to hot and cold water supply, polished chromium-plated

brass. With temperature selection lever, conversion set for concealed mixing device and plug-in power supply with EU male connector, 230 V AC.

Technical Data

with backflow preventer	yes
calculation flow rate cold water	0.07 l/s
calculation flow rate hot water	0.07 l/s
default automatic hygiene flush	not activated
default flow time	60 Seconds
depressurised	no
with filter	yes
functional principle	electronic self-closing
hygiene flushing	yes
diameter nominal	DN 15
inlet size	G 3/8
Locking mechanism	Top section, non-ceramic
material fitting	brass
minimum flow pressure	1 bar
type of mixing	yes
Parameterization	remote control
Pop-up waste set	no
power supply connection	230 V AC
position of power connection	from bottom
Type of power supply	Transformer
protective system IP	IP55 / 22
with rosettes/cover plate	no
protective shutdown	yes
sound insulation	no
Spout	fixed
spout projection	102 mm



KWC PROTRONIC-S

Electronic pillar mixer with plug-in power supply unit

Modell-Linie: PROTRONIC-S | PRTRS0009

Taps | Electronic taps

surface finish fitting	chromed
surface treatment fitting	polished
temperature limit	yes
thermal disinfection	no
with transformer/power supply	yes
type of mounting	tap hole
type of operation	sensor operation
type of sensor	opto-electronic sensor
type of tap	pillar tap
volume flow rate at 3 bar	0.1 l/s
water connection	hose (gland nut)
Accent colour	none
Basic colour	chrome-look (glossy)

Optional Accessories



Remote control

2000101087
ZAQUA091



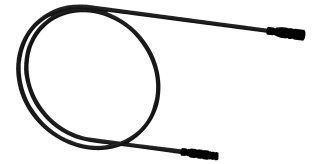
Aerator

2000101160
ZAQUA087



PURETHERM under-table thermostat

2030012758
PURE0031



Extension cable 5 m

2030043814
ACEX9010