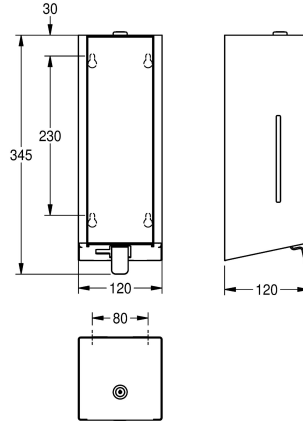
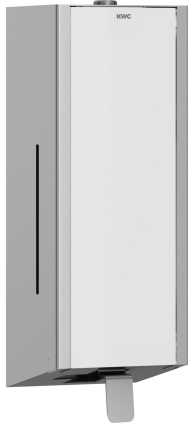


KWC EXOS. Soap dispenser for wall mounting

Modell-Linie: EXOS | EXOS618W
Accessories | Soap dispensers



KWC-No.

2030022939

Front with InoxPlus surface refinement

2030022940

InoxPlus-coated main housing, black toughened safety glass front panel

2030025230

InoxPlus-coated main housing, white toughened safety glass front panel

Accent colour

stainless steel-look

black

white

Soap dispenser for wall mounting, stainless steel with satin finish, white safety glass front panel, casing with InoxPlus surface refinement for the reduction of finger marks and better cleaning characteristics (easy to clean), material thickness 1.2 mm, inspection window on side, suitable for liquid soap and lotions, 800

ml refill tank, with stainless steel push lever, easy to refill with soap tank on front panel, includes mounting materials.

Dimensions 120 x 345 x 120 mm (W x H x D)

Technical Data

filling quantity

0.8

filling quantity uom

liter

lock

key-lock

material

stainless steel

material code

1.4301 Chrome Nickel steel V2A

material thickness

1.2 mm

overall depth

120 mm

overall height

345 mm

overall width

120 mm

surface finish

satin finished

surface treatment

InoxPlus (anti fingerprint)

type of consumable

liquid soap

type of fixing

screw

type of mounting

wall mounting

type of operation

manual operation

type of soap container

integrated refillable tank

Accent colour

white

Basic colour

stainless steel-look

Optional Accessories

KWC EXOS.

Soap dispenser for wall mounting

Modell-Linie: EXOS | EXOS618W

Accessories | Soap dispensers



EXOS. Stainless steel front for soap dispenser for wall mounting

2030022947
ZEXOS616



EXOS. front with black safety glass panel for soap dispenser for wall mounting

2030022948
ZEXOS616B



EXOS. conversion kit for EXOS. soap dispenser

2030022954
ZEXOS625K



EXOS. conversion kit for foam soap dispenser

2030022955
ZEXOS616K

Consumables



Liquid soap

2030058103
SO1LP



Liquid soap

2000057168
SO10L