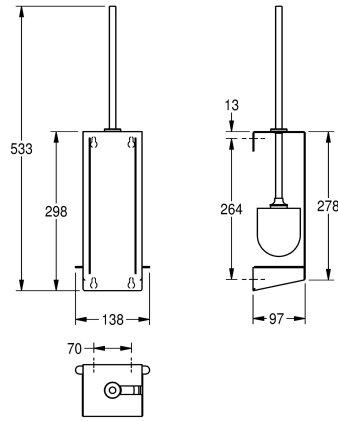


KWC EXOS. Toilet brush holder

Modell-Linie: EXOS | EXOS687X
Accessories | Toilet brush holders



KWC-No.

2030027995

Dimensions 138 x 533 x 97 mm (W x H x D)

Toilet brush holder for wall mounting, stainless steel with satin finish and InoxPlus surface refinement, material thickness 1.5 mm, closed casing to the front, brush withdrawal at the right, brush with stainless steel handle and black nylon brush head, removable

plastic drip tray, includes mounting materials.

Dimensions 110 x 298 x 97 mm (W x H x D)

Technical Data

brush colour

material

material code

material thickness

overall depth

overall height

overall width

surface finish

surface treatment

type of brush

type of fixing

type of mounting

black

stainless steel

1.4301 Chrome Nickel steel V2A

1.5 mm

97 mm

298 mm

110 mm

satin finished

InoxPlus (anti fingerprint)

CNS-nylon

screw

wall mounting

**INOX
PLUS**