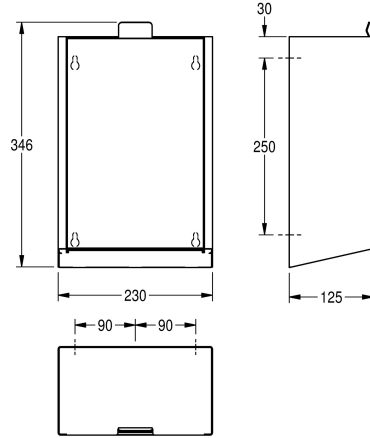
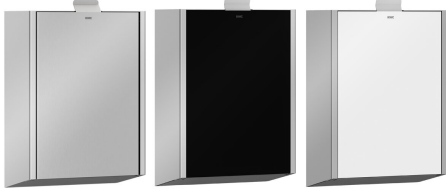


KWC EXOS.

Hygiene waste bin for wall mounting

Modell-Linie: EXOS | EXOS611X

Accessories | Hygiene bins



KWC-No.

2030028001

Front with InoxPlus surface refinement

2030030108

InoxPlus-coated main housing, black toughened safety glass front panel

2030030111

InoxPlus-coated main housing, white toughened safety glass front panel

Accent colour

stainless steel-look

black

white

Hygiene waste bin for wall mounting, stainless steel with satin finish and InoxPlus surface refinement for the reduction of finger marks and better cleaning characteristics (easy to clean), material thickness 1.2 mm, capacity approx. 3.7 litres, hinged self-closing

front, integrated plastic container for waste removal, includes mounting materials.

Dimensions 230 x 346 x 125 mm (W x H x D)

Technical Data

bag holder

no

filling volume

3.7 Liter

lid

yes

lock

no lock

material

stainless steel

material code

1.4301 Chrome Nickel steel V2A

material thickness

1.2 mm

overall depth

125 mm

overall height

346 mm

overall width

230 mm

surface treatment

InoxPlus (anti fingerprint)

type of fixing

screw

type of mounting

wall mounting

Accent colour

stainless steel-look

Basic colour

stainless steel-look

INOX PLUS

Optional Accessories

KWC EXOS.

Hygiene waste bin for wall mounting

Modell-Linie: **EXOS | EXOS611X**
Accessories | Hygiene bins



EXOS. front with black safety glass panel

2030034650
ZEXOS611B



EXOS. front with white safety glass panel

2030034707
ZEXOS611W
