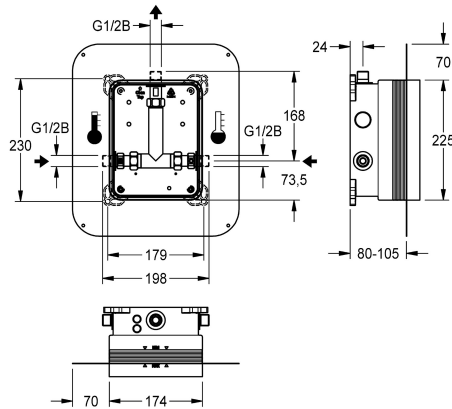
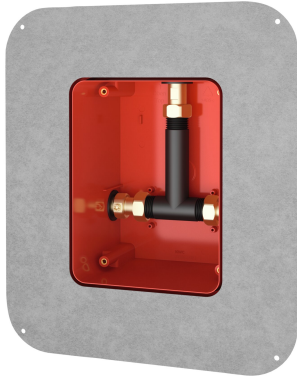


## KWC R5 System box for in-wall mixer

Modell-Linie: F5 | F5BX2001  
Showers | Basic installation kits for showers



### KWC-No.

**2030028990**

R5 System box for in-wall mixer

R5 basic installation kit with sliding adhesive flange for in-wall mounting of finished installation kits DN 15 with mixing unit, for shower facilities. For connection to hot and cold water. KWC system box made of plastic, 174 x 225 mm, with lockable connection screws, shell protection, flush connector for flushing and leak test.

Continuously-adjustable sliding adhesive flange with form-closed, flexible, 70 mm wide sealing collar. Sealing collar made of water-tight, permanently-elastic, alkali-resistant, and crack-bridging thermoplastic elastomer with polypropylene fleece for connecting to compound seals in dry and wet construction.

### Technical Data

application
barrier-free
Built-in fitting model
diameter nominal
material
minimum wall thickness
type of mixing
outlet size
position of power connection
type
type of mounting

showers
no
Built-in section
DN 15
synthetic
80 mm
with thermostat / mixer
G 1/2 B
from top
for built-in with box and adhe
in-wall installation with box

