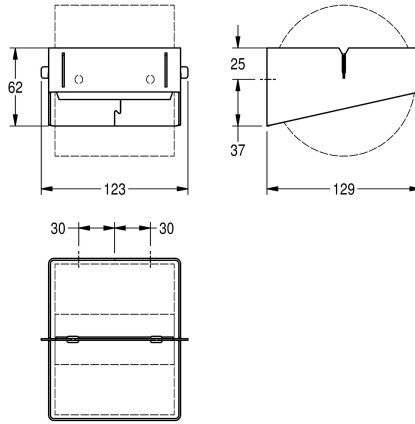


KWC EXOS. Toilet roll holder

Modell-Linie: EXOS | EXOS675X
Accessories | WC-roll holders



KWC-No.

2030031170

Dimensions 123 x 62 x 129 mm (W x H x D)

Toilet roll holder for wall mounting, stainless steel with satin finish and InoxPlus surface refinement, material thickness 1.5 mm, for rolls with a maximum diameter of 120 mm, stainless steel spindle with

integrated roll stop function, includes mounting materials.

Dimensions 123 x 62 x 129 mm (W x H x D)

Technical Data

maximum depth/diameter of cons	120 mm
maximum width of consumable	110 mm
filling quantity	1
filling quantity uom	rolls
lock	no lock
material	stainless steel
material code	1.4301 Chrome Nickel steel V2A
material thickness	1.2 mm
overall depth	129 mm
overall height	62 mm
overall width	123 mm
spindle	yes
surface treatment	InoxPlus (anti fingerprint)
type of fixing	screw
type of mounting	wall mounting

**INOX
PLUS**