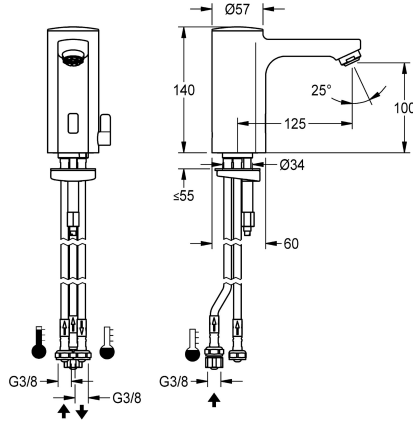


## KWC F5E-Mix

Electronic pillar mixer with battery operation for hot water heaters

Modell-Linie: F5E | F5EM1005

Taps | Electronic taps



### KWC-No.

**2030031350**

F5E-Mix pillar mixer DN 15 for sanitary facilities, opto-electronically controlled. For connection via hoses to open low-level domestic hot water heaters. Control electronics, solenoid valve cartridge, 6 V lithium battery (CR-P2) and sensor in all-metal housing, high-polished chromium-plated brass. Temperature lever with adjustable, turn-proof temperature stop as well as conversion set

for concealed mixing device. With jet controller. Activated water hygiene flushing 24 hours after last activation, safety switch-off with continuous reflection and saving of statistical data. With option for parameterization and communication via optional, bidirectional remote control.

### Technical Data

with backflow preventer	yes
calculation flow rate cold wat	0.08 l/s
compatible A3000 open	no
default automatic hygiene flus	24h after the last activity
depressurised	yes
with filter	yes
functional principle	electronic self-closing
hygiene flushing	yes
diameter nominal	DN 15
inlet size	G 3/8
Locking mechanism	Top section, non-ceramic
material fitting	brass-look
minimum flow pressure	1 bar
type of mixing	yes
number of batteries	1
Parameterization	remote control
Pop-up waste set	no
power supply connection	Battery 6 V
power consumption	1.5 Voltampere
Type of power supply	Battery
protective system IP	IP59K
with rosettes/cover plate	no
protective shutdown	yes
sound insulation	no
Spout	fixed



## KWC F5E-Mix

Electronic pillar mixer with battery operation for hot water heaters

**Modell-Linie: F5E | F5EM1005**

Taps | Electronic taps

spout projection	125 mm
surface finish fitting	chromed
surface treatment fitting	polished
temperature limit	yes
thermal disinfection	no
with transformer/power supply	no
type of batteries	CR-P2 Lithium battery 6V
type of mounting	tap hole
type of operation	sensor operation
type of sensor	opto-electronic sensor
type of tap	pillar tap
volume flow rate at 3 bar	0.08 l/s
water connection	hose (gland nut)
Accent colour	none
Basic colour	chrome-look (glossy)

### Optional Accessories



**Bidirectional remote control for electronic fittings F3 and F5**

**2030036654**  
ACEX9005



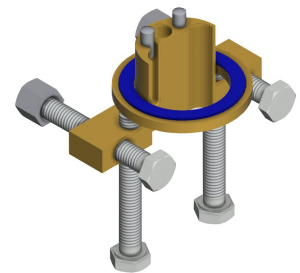
**2-button remote control for fittings F3 and F5**

**2030036849**  
ACEX9004



**Unpressurised small storage tank**

**2000109145**  
ACXM1001



**Anti-twist protection for F5S**

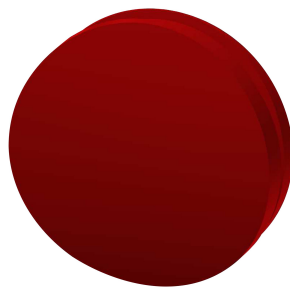
**2030035383**  
ACXX1001

### Spare Parts



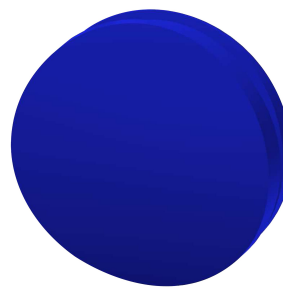
**Cap**

**2030041558**



**Plug red**

**2030041951**



**Plug blue**

**2030041952**



**Battery compartment**

**3600002063**

## KWC F5E-Mix

Electronic pillar mixer with battery operation for hot water heaters

Modell-Linie: F5E | F5EM1005

Taps | Electronic taps

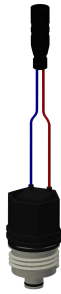
ASEX1007



Lithium battery 6 V

**2000104846**  
EPRTR0008

ASEX1009



Solenoid valve cartridge

**2030045522**  
ACXX9002

ASEX1010



Temperature selection lever

**2030041431**  
ASEM1001

ACEX9023



Hose

**2030041311**  
ASXX1005



Hose

**2030041313**  
ASXX1006



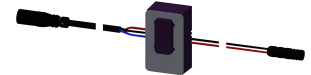
Quick-action fastener

**2030043596**  
ASEX1013



Water way

**2030041949**  
ASEX1008



Sensor, ID 01/00004

**2030041458**  
ASEX1005