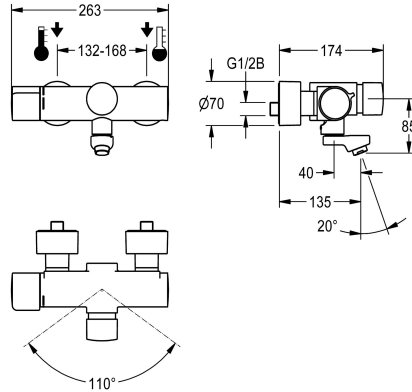


KWC F5S-Therm Self-closing thermostatic wall-mounted mixer

Modell-Linie: **F5S | F5ST1001**
Taps | Self closing taps



KWC-No.

2030032963

Projection 195 mm

2030032959

Projection 135 mm

2030032967

Projection 255 mm

spout projection

195 mm

135 mm

255 mm

F5S-Therm self-closing thermostat wall mixer DN 15 for wall mounting with lockable swivelling spout, for sanitary facilities. Hydraulically controlled, connects to hot water and cold water. With a mechanism for an optional water hygiene unit for automatic hygiene flushing and storage of statistical data. FRAMIC self-closing cartridge, hydraulically controlled, low-maintenance and stagnation-free, with ceramic disc technology, self-closing, flow pressure-independent due to medium-separated design. Stepless

adjustment of flow duration. Thermostat with metal handle with adjustable and turn-proof temperature stop, with option for performance of manual thermal disinfection. Scald-protected, safe-touch housing, all-metal construction, high-polished chromium-plated brass. Laminar jet controller with integrated flow regulator 6.0 l/min. With adjustable and lockable connections with backflow preventer and strainers, completely covered with depth-adjustable screw rosettes. Projection 135 mm.

Technical Data

with backflow preventer

yes

calculation flow rate cold wat

0.07 l/s

calculation flow rate hot wate

0.07 l/s

compatible A3000 open

no

depressurised

no

with filter

yes

adjustable flow time

yes

functional principle

hydraulic self-closing

hygiene flushing

prepared

diameter nominal

DN 15

inlet size

G 1/2 B

Locking mechanism

Top section, ceramic

material fitting

brass

maximum flow time

35 Seconds

minimum flow pressure

1 bar

minimum flow time

5 Seconds

type of mixing

with thermostat

Pop-up waste set

no

with rosettes/cover plate

yes

protective shutdown

no

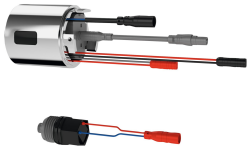


KWC F5S-Therm Self-closing thermostatic wall-mounted mixer

Modell-Linie: F5S | F5ST1001
Taps | Self closing taps

sound insulation	no
Spout	rotating, bottom
spout projection	135 mm
surface finish fitting	chromed
surface treatment fitting	polished
temperature limit	yes
thermal disinfection	manual thermal disinfection
type of mounting	wall mounting
type of operation	manual operation
type of tap	bib tap
volume flow rate at 3 bar	0.1 l/s
water connection	S-connections
Accent colour	none
Basic colour	chrome-look (glossy)

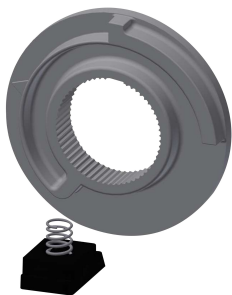
Optional Accessories



Hygiene unit for F5S-Therm

2030041162
ACST9001

Spare Parts



Temperature stop

2030003296
EAQLT0003



Safety ring

2030048357
ASSX9003



FRAMIC Self-closing cartridge

2030046145
ASSX9001