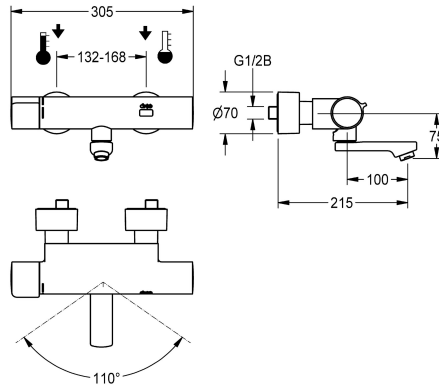


KWC F5E-Therm Electronic thermostatic wall-mounted mixer for

Modell-Linie: F5E | F5ET1002
Taps | Electronic taps



| KWC-No. |
|---|
| 2030032981 Projection 215 mm |
| 2030032980 Projection 155 mm |
| 2030032983 Projection 275 mm |
| 2030039527 with projection 155 mm and pre-installed disinfection unit |
| 2030039528 with projection 215 mm and pre-installed disinfection unit |
| 2030039529 with projection 275 mm and pre-installed disinfection unit |

| spout projection |
|------------------|
| 215 mm |
| 155 mm |
| 275 mm |
| 155 mm |
| 215 mm |
| 275 mm |

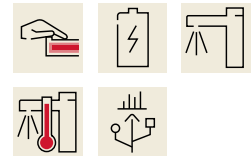
| thermal disinfection |
|--------------------------------|
| yes |
| yes |
| yes |
| automatic thermal disinfection |
| automatic thermal disinfection |
| automatic thermal disinfection |

F5E-Therm thermostatic mixer DN 15 for wall mounting with lockable swivelling spout, for sanitary facilities. Opto-electronically controlled, triggered via hand movement. Thermostat with metal handle and adjustable, turn-proof temperature stop. With option for thermal disinfection, manually or automatically via optional disinfection unit. For connection to hot and cold water. Control electronics, solenoid valve cartridge, 6 V lithium battery (CR-P2) and sensor in scald-protected safe-touch housing, high-polished

chromium-plated brass. Laminar jet controller with integrated flow regulator 6.0 l/min. With adjustable and lockable connections with backflow preventer and strainers, completely covered with depth-adjustable screw rosettes. Projection 215 mm. Activated water hygiene flushing 24 hours after last activation, safety switch-off with continuous reflection and saving of statistical data. With option for parameterization and communication via optional, bidirectional remote control.

| Technical Data |
|--------------------------------|
| with backflow preventer |
| calculation flow rate cold wat |
| calculation flow rate hot wate |
| compatible A3000 open |
| default automatic hygiene flus |
| default flow time |
| depressurised |
| with filter |
| adjustable flow time |
| functional principle |
| hygiene flushing |
| diameter nominal |
| inlet size |
| Locking mechanism |
| material fitting |
| maximum flow time |

| |
|-----------------------------|
| yes |
| 0.07 l/s |
| 0.07 l/s |
| no |
| 24h after the last activity |
| 10 Seconds |
| no |
| yes |
| yes |
| electronic self-closing |
| yes |
| DN 15 |
| G 1/2 B |
| Top section, non-ceramic |
| brass |
| 255 Seconds |



KWC F5E-Therm

Electronic thermostatic wall-mounted mixer for

Modell-Linie: F5E | F5ET1002

Taps | Electronic taps

| | |
|-------------------------------|--------------------------|
| minimum flow pressure | 1 bar |
| minimum flow time | 1 Seconds |
| type of mixing | with thermostat |
| number of batteries | 1 |
| Parameterization | remote control |
| Pop-up waste set | no |
| power supply connection | Battery 6 V |
| power consumption | 1.5 Voltampere |
| Type of power supply | Battery |
| protective system IP | IP59K |
| with rosettes/cover plate | yes |
| protective shutdown | yes |
| sound insulation | no |
| Spout | rotating, bottom |
| spout projection | 215 mm |
| surface finish fitting | chromed |
| surface treatment fitting | polished |
| temperature limit | yes |
| thermal disinfection | yes |
| with transformer/power supply | no |
| type of batteries | CR-P2 Lithium battery 6V |
| type of mounting | wall mounting |
| type of operation | sensor operation |
| type of sensor | opto-electronic sensor |
| type of tap | bib tap |
| Volume flow rate bypass PWH | 0.05 l/s |
| volume flow rate at 3 bar | 0.1 l/s |
| water connection | S-connections |
| Accent colour | none |
| Basic colour | chrome-look (glossy) |

Optional Accessories



Bidirectional remote control for electronic fittings F3 and F5

2030036654
ACEX9005



2-button remote control for fittings F3 and F5

2030036849
ACEX9004



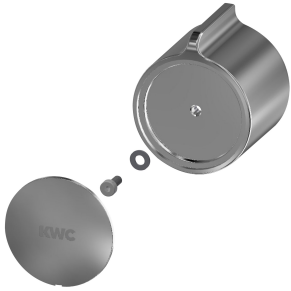
Thermal disinfection unit for F5E-Therm thermostatic wall mixers

2030039541
ACET9001

KWC F5E-Therm Electronic thermostatic wall-mounted mixer for

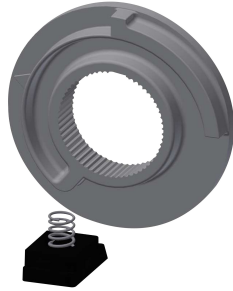
Modell-Linie: F5E | F5ET1002
Taps | Electronic taps

Spare Parts



Temperature handle

2030047082
ASXT9003



Temperature stop

2030003296
EAQLT0003



Solenoid valve cartridge

2030045522
ACXX9002
