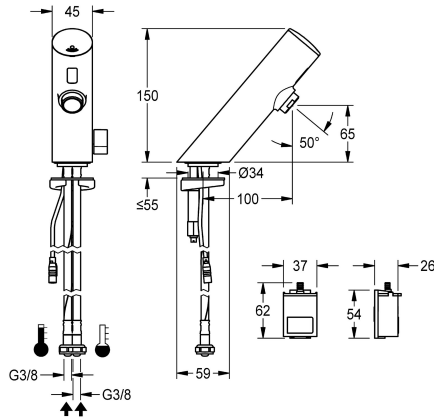


KWC F3E-Mix electronic pillar mixer with battery compartment

Modell-Linie: F3E | F3EM1001
Taps | Electronic taps



KWC-No.

2030033388

volume flow rate at 3 bar

0.1 l/s

F3E-Mix pillar mixer DN 15 for sanitary facilities, opto-electronically controlled. For connection to hot and cold water via hoses with integrated backflow preventer and strainers. Control electronics, solenoid valve cartridge and sensor in all-metal housing, high-polished chromium-plated brass, with temperature lever and adjustable, turn-proof temperature stop. Aerator with integrated

flow regulator 6.0 l/min. Activated water hygiene flushing 24 hours after last activation, safety switch-off with continuous reflection and saving of statistical data. With option for parameterization and communication via optional, bidirectional remote control. With battery compartment including 6 V lithium battery (CR-P2) for installation under the washbasin.

Technical Data

with backflow preventer	yes
calculation flow rate cold wat	0.07 l/s
calculation flow rate hot water	0.07 l/s
compatible A3000 open	no
default automatic hygiene flus	24h after the last activity
depressurised	no
with filter	yes
functional principle	electronic self-closing
hygiene flushing	yes
diameter nominal	DN 15
inlet size	G 3/8
Locking mechanism	Top section, non-ceramic
material fitting	brass
minimum flow pressure	1 bar
type of mixing	yes
number of batteries	1
Parameterization	remote control
Pop-up waste set	no
power supply connection	Battery 6 V
position of power connection	from bottom
power consumption	1.5 Voltampere
Type of power supply	Battery
protective system IP	IP59K
with rosettes/cover plate	no
protective shutdown	yes



KWC

F3E-Mix electronic pillar mixer with battery compartment

Modell-Linie: F3E | F3EM1001

Taps | Electronic taps

sound insulation	no
Spout	fixed
spout projection	100 mm
surface finish fitting	chromed
surface treatment fitting	polished
temperature limit	yes
thermal disinfection	no
with transformer/power supply	no
type of batteries	CR-P2 Lithium battery 6V
type of mounting	tap hole
type of operation	sensor operation
type of sensor	opto-electronic sensor
type of tap	pillar tap
volume flow rate at 3 bar	0.1 l/s
water connection	hose (gland nut)
Accent colour	none
Basic colour	chrome-look (glossy)

Optional Accessories



Bidirectional remote control for electronic fittings F3 and F5

2030036654
ACEX9005



2-button remote control for fittings F3 and F5

2030036849
ACEX9004



Aerator

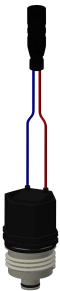
2000101160
ZAQUA087



PURETHERM under-table thermostat

2030012758
PURE0031

Spare Parts





KWC

F3E-Mix electronic pillar mixer with battery compartment

Modell-Linie: F3E | F3EM1001

Taps | Electronic taps

Solenoid valve cartridge

2030045522

ACXX9002
