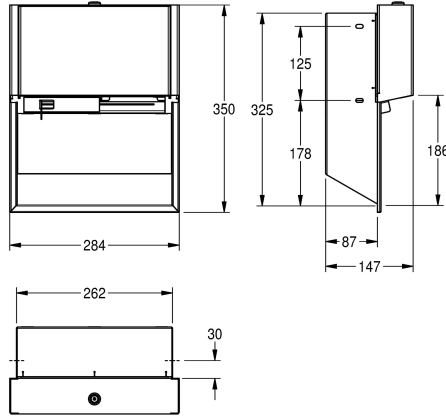


## KWC EXOS. Double toilet roll holder

Modell-Linie: EXOS | EXOS676EB  
Accessories | WC-roll holders



### KWC-No.

**2030034642**

InoxPlus-coated main housing and front panel

**2030034644**

InoxPlus-coated main housing, black toughened safety glass front panel

**2030034669**

InoxPlus-coated main housing, white toughened safety glass front panel

### Accent colour

stainless steel

black

white

Double toilet roll holder with spindle system for recessed mounting, stainless steel with satin finish, black safety glass front panel and casing with InoxPlus surface refinement for the reduction of finger marks and better cleaning characteristics (easy to clean), material thickness 1.2 mm, closed casing, for two rolls with a maximum

diameter of 120 mm, when the first roll is used up, the hidden spare roll is released by sliding the bottom cover on the opposite side, includes mounting materials.

Dimensions 284 x 350 x 147 mm (W x H x D)

### Technical Data

maximum depth/diameter of cons

120 mm

maximum width of consumable

100 mm

filling quantity

2

filling quantity uom

rolls

lock

key-lock

material

stainless steel

material code

1.4301 Chrome Nickel steel V2A

material thickness

1.2 mm

overall depth

147 mm

overall height

350 mm

overall width

284 mm

spindle

yes

surface treatment

InoxPlus (anti fingerprint)

type of fixing

screw

type of mounting

recessed mounting

Accent colour

black

Basic colour

stainless steel

### Optional Accessories

## KWC EXOS. Double toilet roll holder

Modell-Linie: EXOS | EXOS676EB  
Accessories | WC-roll holders



**EXOS. stainless steel front for EXOS.  
double toilet roll holder for recessed  
mounting**

---

**2030034657**  
ZEXOS676E

---

**EXOS. front with white safety glass  
panel**

---

**2030034712**  
ZEXOS676EW

---