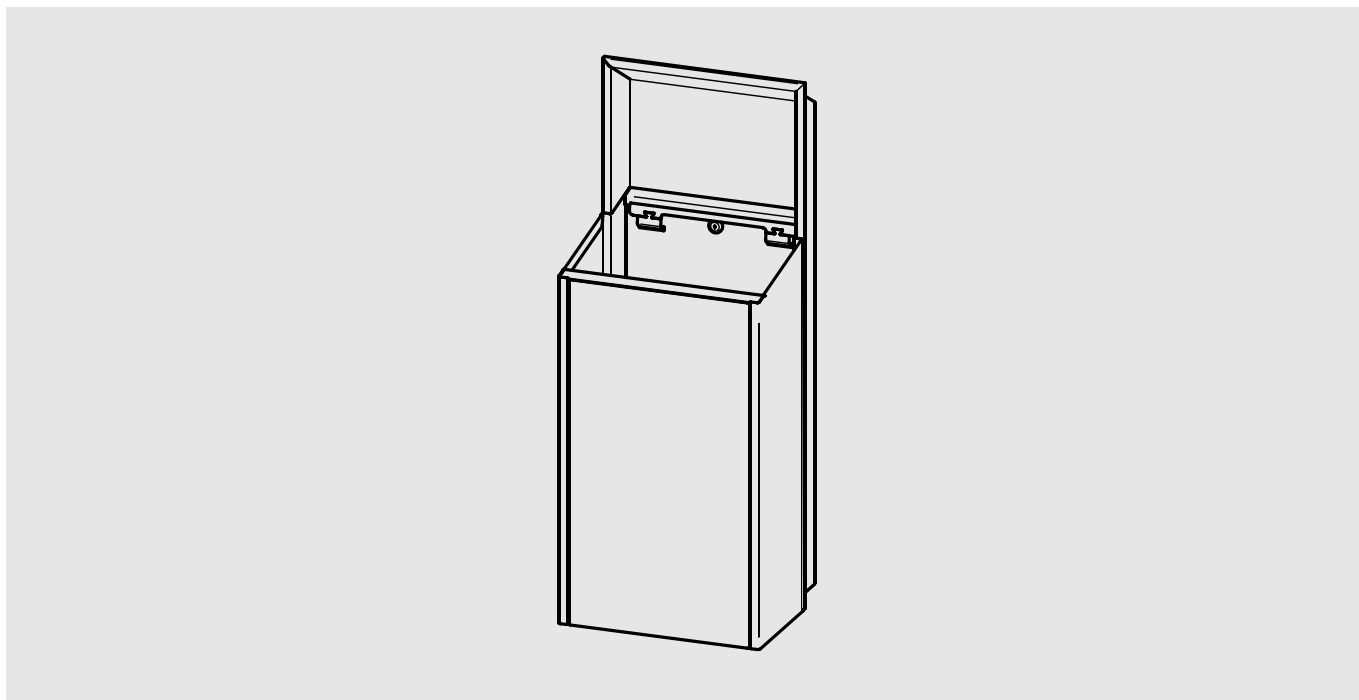


# EXOS

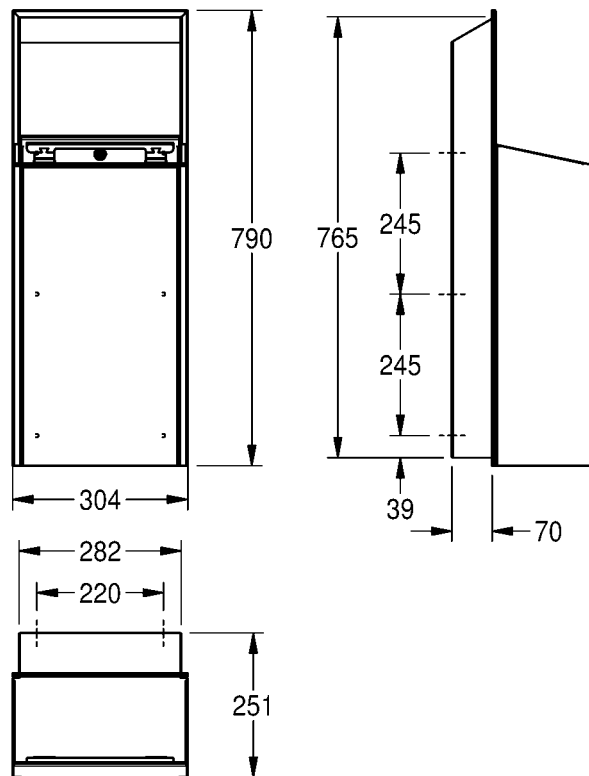
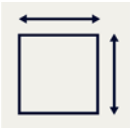
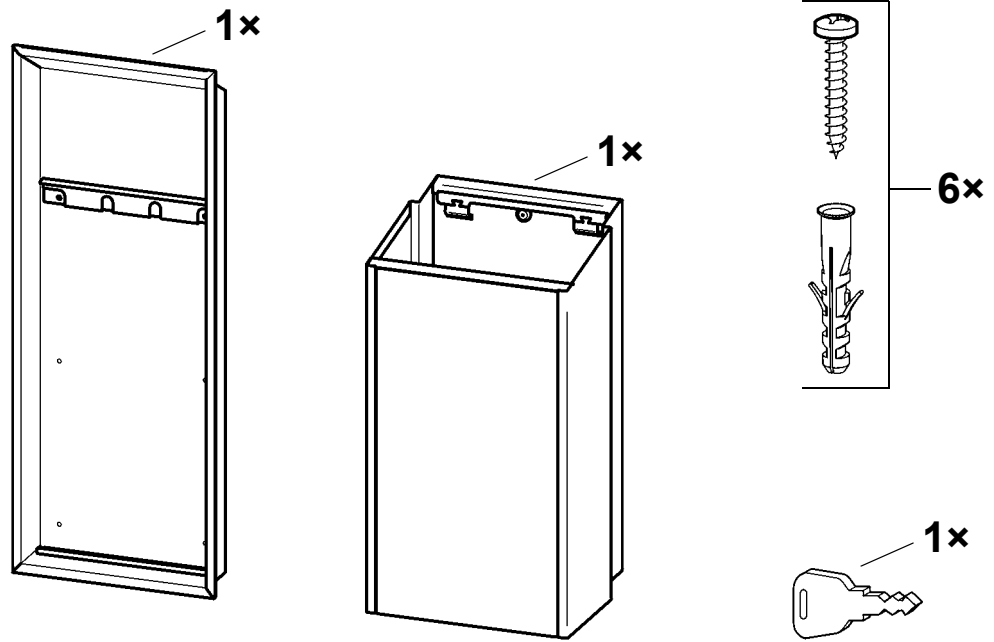


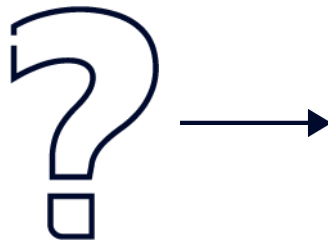
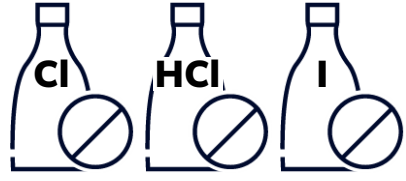
**EXOS605EX**  
2030034628

**EXOS605EB**  
2030034629

**EXOS605EW**  
2030034664

|           |  |                     |
|-----------|--|---------------------|
| <b>EN</b> | Installation and operating instructions      | Waste bin, recessed |
| <b>DE</b> | Montage- und Betriebsanleitung               | Abfallbehälter      |
| <b>FR</b> | Notice de montage et de mise en service      |                     |
| <b>ES</b> | Instrucciones de montaje y servicio          |                     |
| <b>IT</b> | Istruzioni per il montaggio e l'uso          |                     |
| <b>NL</b> | Montage- en bedrijfsinstructies              |                     |
| <b>PL</b> | Instrukcja montażu i obsługi                 |                     |
| <b>SV</b> | Monterings- och driftinstruktion             |                     |
| <b>CS</b> | Návod pro montáž a provoz                    |                     |
| <b>FI</b> | Asennus- ja käyttöohje                       |                     |
| <b>RU</b> | Инструкция по монтажу и вводу в эксплуатацию |                     |





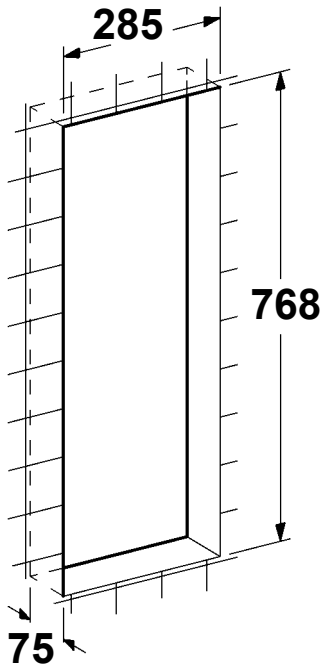
## 1. Montage

EN Installation  
FR Montage  
ES Montaje  
IT Montaggio

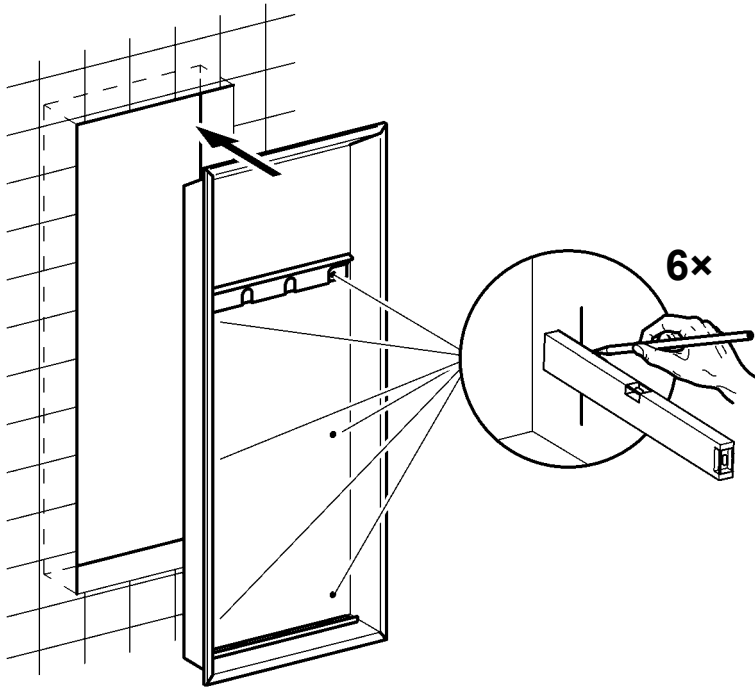
NL Montage  
PL Montaż  
SV Montering

CS Montáž  
FI Asennus  
RU Монтаж  
AR

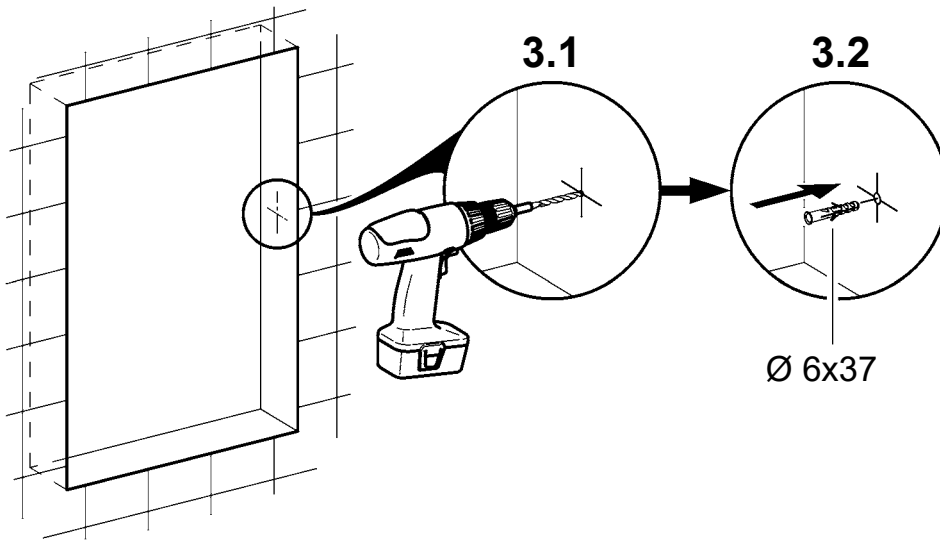
**1**



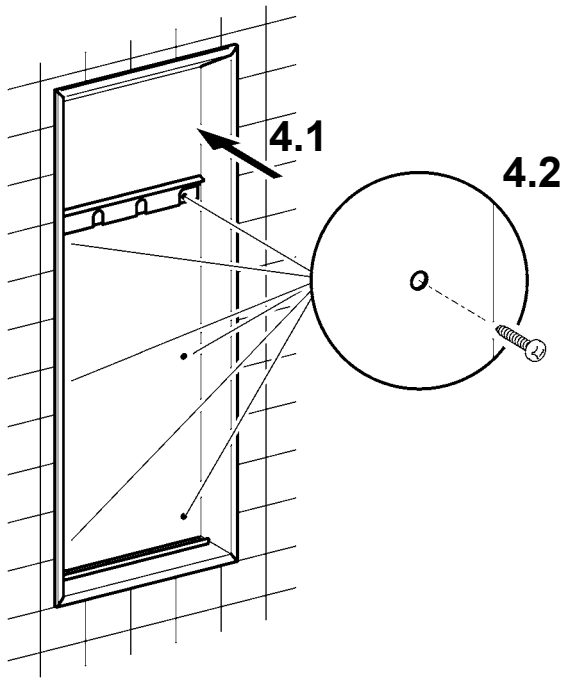
**2**



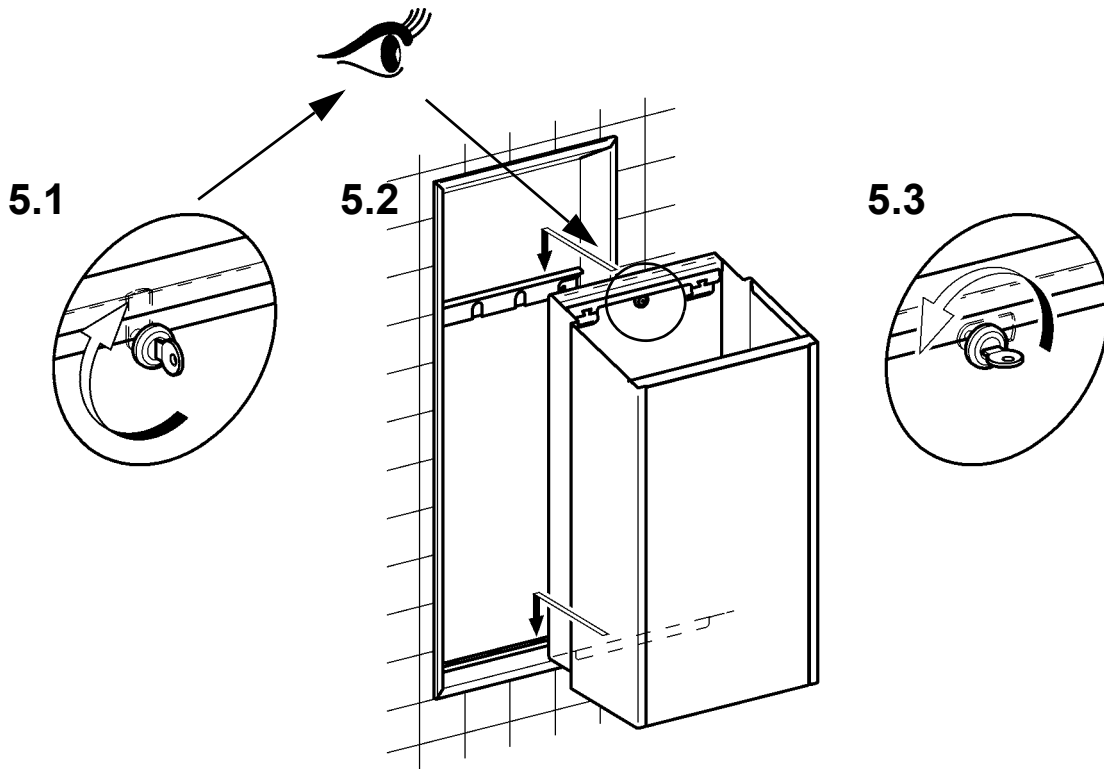
**3**



**4**



**5**



## 2. Abfallkorb reinigen

EN Clean outlet cage

NL Afvoerelement reinigen

CS Vyčistit odtokový koš

FR Nettoyer le tamis d'écoulement

PL Oczyszczyć kosz odpływu

FI Puhdista viemärikoppa

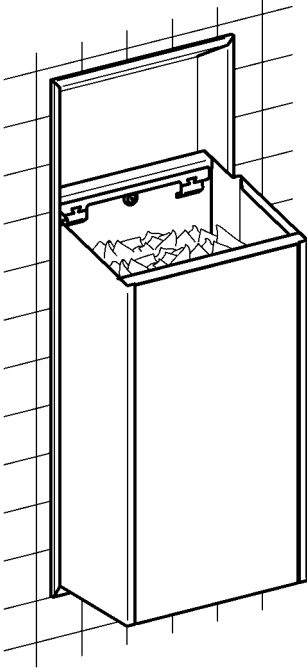
ES Colocar la cesta del desagüe

SV Rengöra avloppssilen

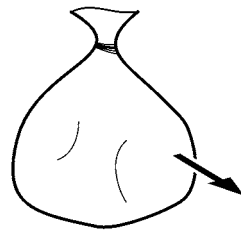
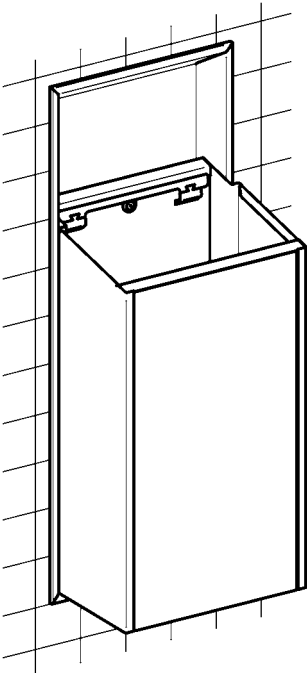
RU Очистить поддон для стока воды

IT Pulire il cesto di scarico

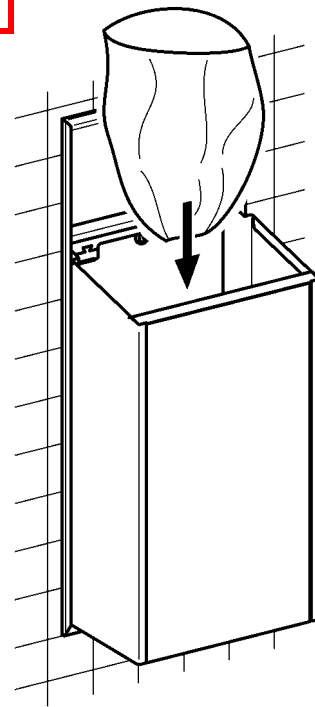
1



2



3

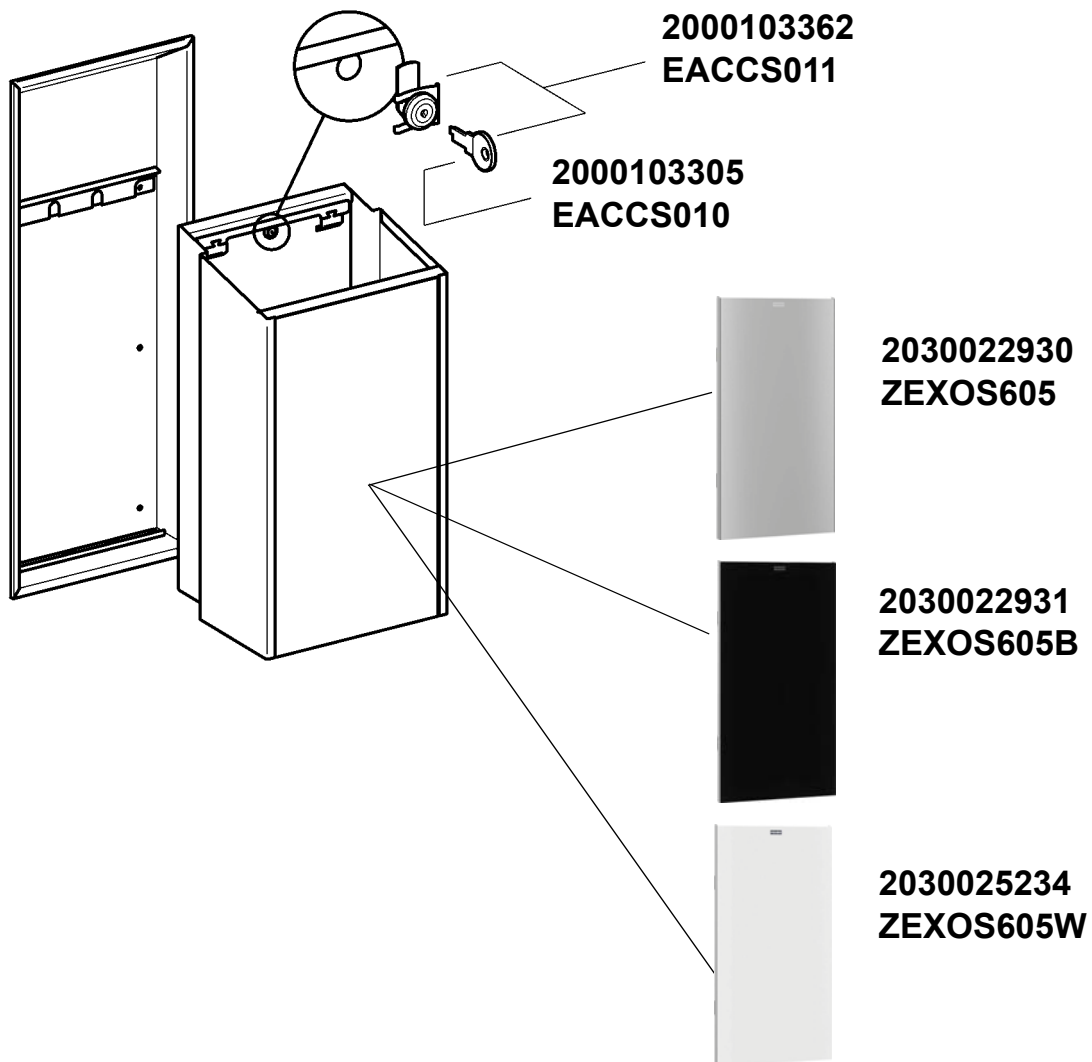


### 3. Ersatzteile

EN Replacement parts  
FR Pièces de rechange  
ES Piezas de recambio  
IT Pezzi di ricambio

NL Reserveonderdelen  
PL Części zamienne  
SV Reservdelar

CS Náhradní díly  
FI Varaosat  
RU Запчасти



**Australia**

PR Kitchen and  
Water Systems Pty Ltd  
Dandenong South VIC 3175  
Phone +61 3 9700 9100

**Austria**

KWC Austria GmbH  
6971 Hard, Austria  
Phone +43 5574 6735 0

**Belgium, Netherlands &  
Luxembourg**

KWC Aquarotter GmbH  
9320 Aalst; Belgium  
Phone +31 (0) 492 728 224

**Czech Republic**

KWC Aquarotter GmbH  
14974 Ludwigsfelde, Germany  
Phone +49 3378 818 309

**France**

KWC Austria GmbH  
6971 Hard, Austria  
Phone +33 800 909 216

**Germany**

KWC Aquarotter GmbH  
14974 Ludwigsfelde  
Phone +49 3378 818 0

**Italy**

KWC Austria GmbH  
6971 Hard, Austria  
Numero Verde +39 800 789 233

**Middle East**

KWC ME LLC Ras Al Khaimah,  
United Arab Emirates  
Phone +971 7 2034 700

**Poland**

KWC Aquarotter GmbH  
14974 Ludwigsfelde, Germany  
Phone +48 58 35 19 700

**Spain**

KWC Austria GmbH  
6971 Hard, Austria  
Phone +43 5574 6735 211

**Switzerland & Liechtenstein**

KWC Group AG  
5726 Unterkulm, Switzerland  
Phone +41 62 768 69 00

**Turkey**

KWC ME LLC Ras Al Khaimah,  
United Arab Emirates  
Phone +971 7 2034 700

**United Kingdom**

KWC DVS Ltd - Northern Office  
Barlborough S43 4PZ  
Phone +44 1246 450 255

KWC DVS Ltd - Southern Office  
Paignton TQ4 7TW  
Phone +44 1803 529 021

**EAST EUROPE**

Bosnia Herzegovina  
Bulgaria | Croatia  
Hungary | Latvia  
Lithuania | Romania  
Russia | Serbia | Slovakia  
Slovenia | Ukraine

KWC Aquarotter GmbH  
14974 Ludwigsfelde, Germany  
Phone +49 3378 818 261

**SCANDINAVIA & ESTONIA**

Finland | Sweden | Norway  
Denmark | Estonia

KWC Nordics Oy  
76850 Naarajärvi, Finland  
Phone +358 15 34 111

**OTHER COUNTRIES**

**KWC Austria GmbH**  
**6971 Hard, Austria**  
**Phone +43 5574 6735 0**

