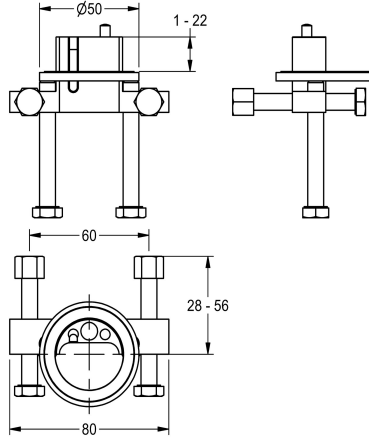
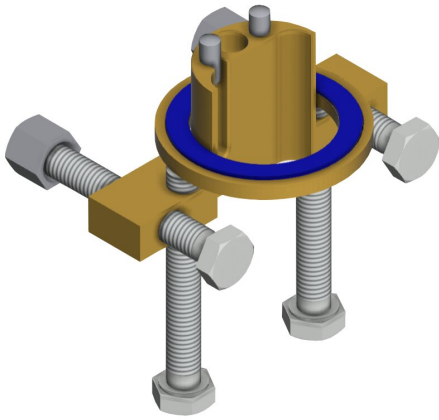


## KWC

Anti-twist protection for F5S

Modell-Linie: F5 | ACXX1001

Taps | Complementary parts taps



### KWC-No.

**2030035383**

Anti-twist protection

Twist-proof set for F5S self-closing pillar fittings, F3S-Mix self-closing pillar mixer and F5E electronic pillar fittings.

### Technical Data

quantity

1

quantity uom

piece