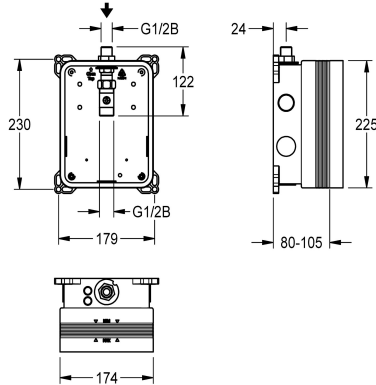


KWC R3 System box for in-wall taps

Modell-Linie: F3 | F3BV1001
Taps | Basic installation kits for tap



KWC-No.

2030036142

R3 system box for in-wall taps

R3 basic installation kit for in-wall mounting of finished installation kits DN 15 without mixing unit, for sanitary facilities. For connection to pre-mixed hot water or cold water. KWC system box made of

plastic, 174 x 225 mm, with connection screws, shell protection, flush connector for flushing, and leak test.

Technical Data

application

washing

barrier-free

no

Built-in fitting model

Built-in section

diameter nominal

DN 15

material

synthetic

minimum wall thickness

80 mm

type of mixing

no

position of power connection

from top

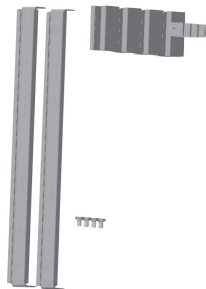
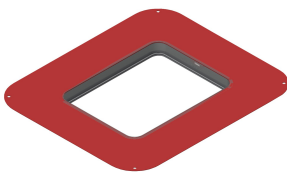
type

for built-in with box

type of mounting

in-wall installation with box

Optional Accessories



Sliding adhesive flange

2030041606

ACBX9002

AQUAFIX Traverse

2000106019

ZCMPX006