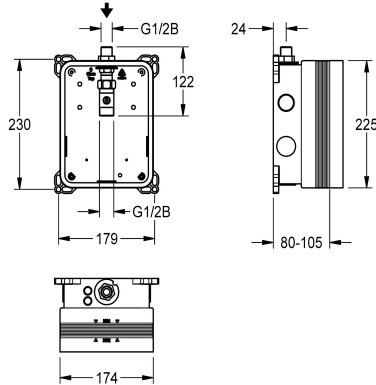


KWC R3 System box for in-wall taps

Modell-Linie: F3 | F3BV1001
Taps | Basic installation kits for tap



KWC-No.

2030036142

R3 system box for in-wall taps

R3 basic installation kit for in-wall mounting of finished installation kits DN 15 without mixing unit, for sanitary facilities. For connection to pre-mixed hot water or cold water. KWC system box made of

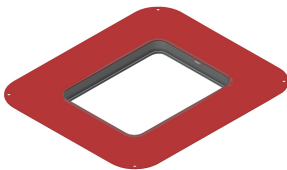
plastic, 174 x 225 mm, with connection screws, shell protection, flush connector for flushing, and leak test.

Technical Data

application
barrier-free
Built-in fitting model
diameter nominal
material
minimum wall thickness
type of mixing
position of power connection
type
type of mounting

washing
no
Built-in section
DN 15
synthetic
80 mm
no
from top
for built-in with box
in-wall installation with box

Optional Accessories



Sliding adhesive flange

2030041606

ACBX9002