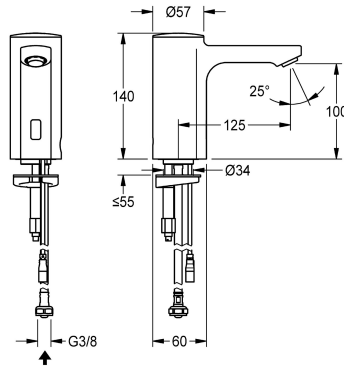


## KWC F5E

Electronic pillar tap for separate power supply

Modell-Linie: F5E | F5EV1004

Taps | Electronic taps



### KWC-No.

2030036158

### volume flow rate at 3 bar

0.08 l/s

F5E pillar tap DN 15 for sanitary facilities, opto-electronically controlled. For connection to pre-mixed hot or cold water via hose and strainer. Control electronics, solenoid valve cartridge and sensor in all-metal housing, high-polished chromium-plated brass. Anti-theft aerator, design SLIM, with integrated flow regulator 5.0 l/min. Activated water hygiene flushing 24 hours after last activation,

safety switch-off with continuous reflection and saving of statistical data. With option for parameterization and communication via optional, bidirectional remote control. Separate power supply via power supply unit 6.75 V / 12 V DC or AQUA 3000 open system accessories.

### Technical Data

with backflow preventer	no
calculation flow rate cold wat	0.1 l/s
compatible A3000 open	yes
default automatic hygiene flus	24h after the last activity
depressurised	no
with filter	yes
functional principle	electronic self-closing
hygiene flushing	yes
diameter nominal	DN 15
inlet size	G 3/8
Locking mechanism	Top section, non-ceramic
material fitting	brass
minimum flow pressure	1 bar
type of mixing	no
Parameterization	remote control
Pop-up waste set	no
power supply connection	6,75 / 12 V DC / A3000 open
position of power connection	from bottom
power consumption	1.5 Voltampere
Type of power supply	Transformer
protective system IP	IP59K
with rosettes/cover plate	no
protective shutdown	yes
sound insulation	no
Spout	fixed



## KWC F5E

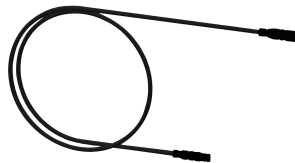
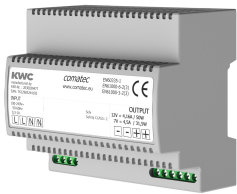
Electronic pillar tap for separate power supply

**Modell-Linie: F5E | F5EV1004**

Taps | Electronic taps

spout projection	125 mm
surface finish fitting	chromed
surface treatment fitting	polished
temperature limit	no
thermal disinfection	no
with transformer/power supply	no
type of mounting	tap hole
type of operation	sensor operation
type of sensor	opto-electronic sensor
type of tap	pillar tap
volume flow rate at 3 bar	0.08 l/s
water connection	hose (gland nut)
Accent colour	none
Basic colour	chrome-look (glossy)

### Mandatory Accessories



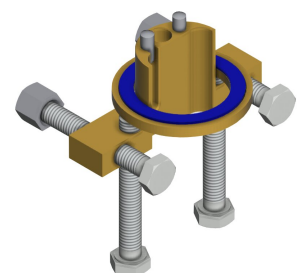
#### Power supply unit

**2030039477**  
ACEX9001

#### Extension cable 5 m

**2030043814**  
ACEX9010

### Optional Accessories



#### Bidirectional remote control for electrical fittings F3 and F5

**2030036654**  
ACEX9005

#### 2-button remote control for fittings F3 and F5

**2030036849**  
ACEX9004

#### Socket

**2030040334**  
ACEX1001

#### Anti-twist protection for F5S

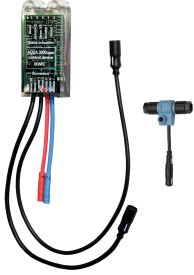
**2030035383**  
ACXX1001

## KWC F5E

Electronic pillar tap for separate power supply

Modell-Linie: F5E | F5EV1004

Taps | Electronic taps



**Electronic module for wash basin taps F5**

**2030041520**  
ACEX1002

**Electronic module EM5 with ID 02010, with flush box**

**2030059118**  
ACEX1004



**PURETHERM under-table thermostat**

**2030012758**  
PURE0031



**5.0 l/min aerator, angle-adjustable**

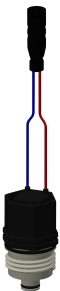
**2030041326**  
ACXX1002



**3.0 l/min. aerator**

**2030041424**  
ASXX1008

### Spare Parts



**Solenoid valve cartridge**

**2030045522**  
ACXX9002



**In-wall power supply**

**2030039825**  
ACEX9003



**Mounting key**

**2030041329**  
ACXX1003