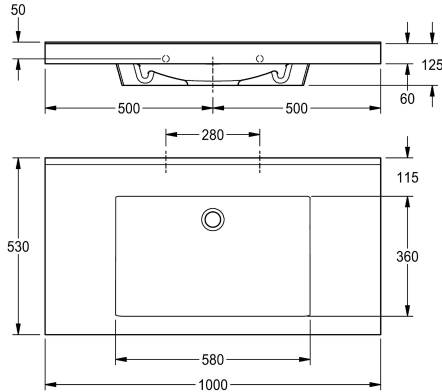


KWC QUADRO Single wash basin

Modell-Linie: QUADRO | ANMW417
Washbasins & Washtroughs | Wash basins



KWC-No.

2000101159

With 35 mm diameter tap hole

2030036243

Without tap hole

number of tap holes

1

QUADRO single wash basin, made of MIRANIT resin-bonded mineral material, with smooth, pore-free surface (temperature-resistant up to 80 °C). Alpine white colour. With seamless, rectangular bowl, without overflow, without taphole. Mounting on washbasin back panel. Rear contoured edge. Three-sided apron

60 mm (H). Mounting material included.

Dimensions 1000 x 125 x 530 (W x H x D)
Bowl dimensions 580 x 40/90 x 360 (W x H x D)

Technical Data

type of basin
bowl position
bowl - bowl height
bowl - depth
bowl shape
bowl - width
colour
material
material code
overall depth
overall height
overall width
overflow
rear upstand
siphon diameter
siphon included
splash back
tap ledge
type of mounting
waste hole position
waste kit included

Wash basin
center
90 mm
360 mm
rectangle
580 mm
alpinewhite
mineral material
Miranit
530 mm
60 mm
1,000 mm
no
yes
DN 32
no
no
yes
wall mounting
centre back
no

Optional Accessories

KWC QUADRO Single wash basin

Modell-Linie: QUADRO | ANMW417
Washbasins & Washtroughs | Wash basins



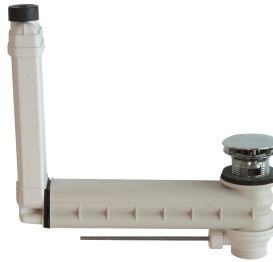
Strainer waste

2000100854
ZANMW901



Dome waste valve

2000100861
ZANMW900



Drain and overflow set

2000100932
ZANMW902



Trap

2000057417
XINX140