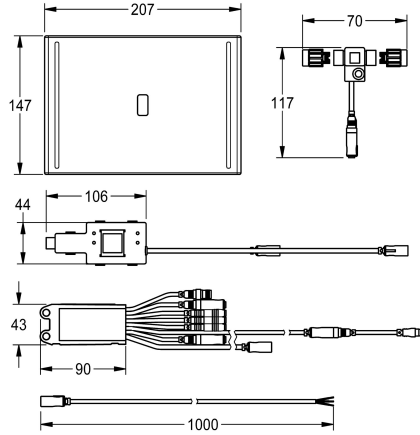
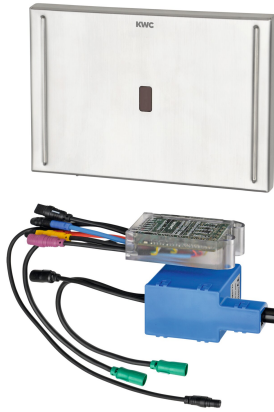


KWC

EXOS. - A3000 open electronic WC controller for cistern

Modell-Linie: EXOS | EXOS0027

Flushing systems | Electronic WC flushing systems



KWC-No.

2030036621

EXOS. - A3000 open electronic WC controller for cistern

EXOS - A3000 open opto-electronic WC control for concealed toilet cistern. With option for external controlling options such as fittings settings and communication via ECC function controller or optional, bidirectional remote control.

With waterproof electronic module with additional input for sensors to be provided by the client no more than 5 m away (e.g. support

grips for disabled persons), low voltage motor, waterproof electric T-junction for connecting to system cable, mounting bracket and stainless steel cover plate with sensors and concealed screw fastening. Activated water hygiene flushing 24 hours after last activation and saving of statistical data. Separate power supply 24 V DC via AQUA 3000 open system accessories.

Technical Data

Built-in fitting model
Cover plate height
Cover plate width
default automatic hygiene flush
functional principle
material casing
material code casing
material fitting
overall height
overall width
Parameterization
power supply connection
power consumption
Type of power supply
protective system IP
surface finish casing
with transformer/power supply
type of flushing fitting
type of operation
type of sensor

Finishing section
147 mm
207 mm
24h after the last activity
electronic self-closing
stainless steel
1.4301 Chrome Nickel steel V2A
synthetic
147 mm
207 mm
network
24 V DC
4 Voltampere
Transformer
IP68
brushed
no
for WC cistern
sensor operation
opto-electronic sensor



Mandatory Accessories

KWC

EXOS. - A3000 open electronic WC controller for cistern

Modell-Linie: EXOS | EXOS0027

Flushing systems | Electronic WC flushing systems



AQUAFIX installation frame for WC pan, with wall-installation cistern

2030020126
AQFX0006



AQUAFIX installation frame for WC pan, barrier-free, with wall-installation cistern

2030020128
AQFX0007



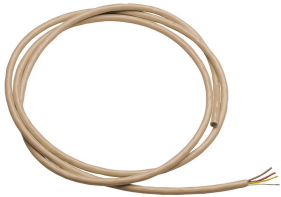
ECC2 function controller

2000108123
ZA3OP0011



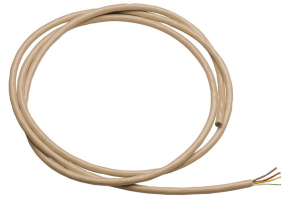
ECC2 function controller

2030016282
ZA3OP0022



System cable

2000100801
ZAQUA077



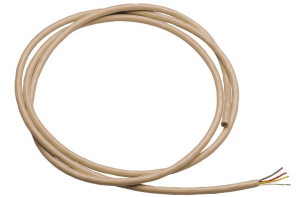
System cable

2000100852
ZAQUA078



System cable

2000104272
ZAQUA011



System cable

2000104274
ZAQUA012

Optional Accessories



Bidirectional remote control for electrical fittings F3 and F5

2030036654
ACEX9005

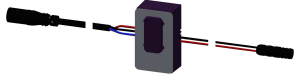
Spare Parts

KWC

EXOS. - A3000 open electronic WC controller for cistern

Modell-Linie: EXOS | EXOS0027

Flushing systems | Electronic WC flushing systems



Sensor, ID 01/00004

2030041458
ASEX1005



Electrical T junction

2000100853
ZAQUA075