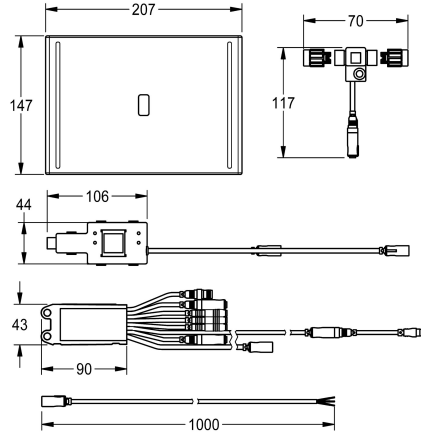
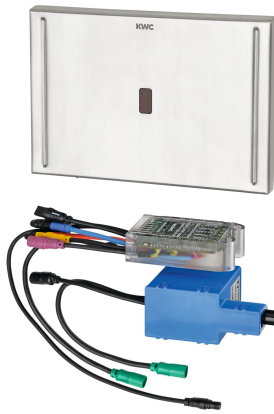


## KWC

### EXOS. - A3000 open electronic WC controller for cistern

Modell-Linie: EXOS | EXOS0027

Flushing systems | Electronic WC flushing systems



#### KWC-No.

**2030036621**

EXOS. - A3000 open electronic WC controller for cistern

EXOS - A3000 open opto-electronic WC control for concealed toilet cistern. With option for external controlling options such as fittings settings and communication via ECC function controller or optional, bidirectional remote control.

With waterproof electronic module with additional input for sensors to be provided by the client no more than 5 m away (e.g. support

grips for disabled persons), low voltage motor, waterproof electric T-junction for connecting to system cable, mounting bracket and stainless steel cover plate with sensors and concealed screw fastening. Activated water hygiene flushing 24 hours after last activation and saving of statistical data. Separate power supply 24 V DC via AQUA 3000 open system accessories.

#### Technical Data

Built-in fitting model
Cover plate height
Cover plate width
default automatic hygiene flush
functional principle
material casing
material code casing
material fitting
overall height
overall width
Parameterization
power supply connection
power consumption
Type of power supply
protective system IP
surface finish casing
with transformer/power supply
type of flushing fitting
type of operation
type of sensor

Finishing section
147 mm
207 mm
24h after the last activity
electronic self-closing
stainless steel
1.4301 Chrome Nickel steel V2A
synthetic
147 mm
207 mm
network
24 V DC
4 Voltampere
Transformer
IP68
brushed
no
for WC cistern
sensor operation
opto-electronic sensor



#### Mandatory Accessories

## KWC

EXOS. - A3000 open electronic WC controller for cistern

Modell-Linie: EXOS | EXOS0027

Flushing systems | Electronic WC flushing systems



**AQUAFIX installation frame for WC pan, with wall-installation cistern**

**2030020126**  
AQFX0006



**AQUAFIX installation frame for WC pan, barrier-free, with wall-installation cistern**

**2030020128**  
AQFX0007



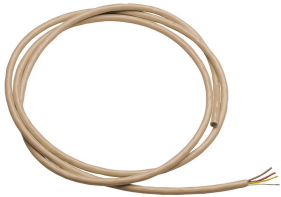
**ECC2 function controller**

**2000108123**  
ZA3OP0011



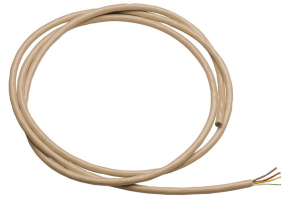
**ECC2 function controller**

**2030016282**  
ZA3OP0022



**System cable**

**2000100801**  
ZAQUA077



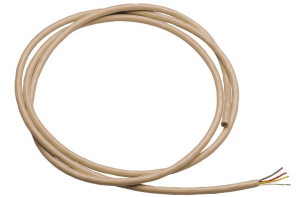
**System cable**

**2000100852**  
ZAQUA078



**System cable**

**2000104272**  
ZAQUA011



**System cable**

**2000104274**  
ZAQUA012

### Optional Accessories



**Bidirectional remote control for electrical fittings F3 and F5**

**2030036654**  
ACEX9005

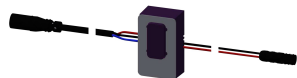
### Spare Parts

## KWC

EXOS. - A3000 open electronic WC controller for cistern

Modell-Linie: EXOS | EXOS0027

Flushing systems | Electronic WC flushing systems



Sensor, ID 01/00004

**2030041458**  
ASEX1005



Electrical T junction

**2000100853**  
ZAQUA075