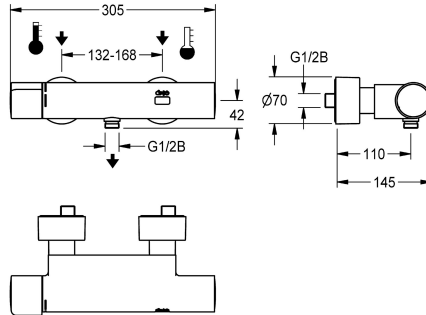


KWC F5E-Therm

Electronic thermostat wall-mounted mixer with hand-shower connection and battery operation

Modell-Linie: F5E | F5ET2003

Showers | Electronic self closing shower



KWC-No.

2030036691

2030039548

Version with pre-assembled thermal disinfection unit

thermal disinfection

yes

automatic thermal disinfection

F5E-Therm thermostatic mixer DN 15 for wall mounting, for shower facilities. Electronically controlled, for connection to hot water and cold water. Thermostat with metal handle and adjustable, turn-proof temperature stop. With option for thermal disinfection, manually or automatically via optional disinfection unit. Control electronics, solenoid valve cartridge, 6 V lithium battery (CR-P2) and touch sensor in scald-protected safe-touch housing, with hand-

shower connection, G 1/2 B. Full-metal version, high-polished chromium-plated brass. With adjustable and lockable connections with backflow preventer and strainers, completely covered with depth-adjustable screw rosettes. Activated water hygiene flushing 24 hours after last activation and saving of statistical data. With option for parameterization and communication via optional, bidirectional remote control.

Technical Data

additional connections

no

with backflow preventer

yes

calculation flow rate cold wat

0.15 l/s

calculation flow rate hot water

0.15 l/s

circulation

no

connection with pay water disp

not possible

default automatic hygiene flus

24h after the last activity

default flow time

30 Seconds

with filter

yes

adjustable flow time

yes

functional principle

electronic self-closing

for hand shower

yes

hygiene flushing

yes

diameter nominal

DN 15

inlet size

G 1/2 B

Locking mechanism

Top section, non-ceramic

material casing

brass

material fitting

brass

maximum flow time

255 Seconds

minimum flow pressure

1 bar

minimum flow time

1 Seconds

type of mixing

with thermostat

KWC F5E-Therm

Electronic thermostat wall-mounted mixer with hand-shower connection and battery operation

Modell-Linie: F5E | F5ET2003

Showers | Electronic self closing shower

number of batteries	1
Parameterization	remote control
power supply connection	Battery 6 V
power consumption	1.5 Voltampere
Type of power supply	Battery
protective system IP	IP59K
with rosettes/cover plate	yes
protective shutdown	yes
shower pipe draining	no
sound insulation	no
surface finish casing	chromed
surface finish fitting	chromed
surface treatment fitting	polished
temperature limit	yes
thermal disinfection	yes
with transformer/power supply	no
type of batteries	CR-P2 Lithium battery 6V
type of mounting	wall mounting
type of operation	sensor operation
type of sensor	opto-electronic sensor
type of shower	wall fitting
Volume flow rate bypass PWH	0.05 l/s
volume flow rate at 3 bar	0.23 l/s
water connection	S-connections
position of water connection	from backside
Accent colour	none
Basic colour	chrome-look (glossy)

Optional Accessories



Bidirectional remote control for electronic fittings F3 and F5

2030036654
ACEX9005



2-button remote control for fittings F3 and F5

2030036849
ACEX9004



Hand shower

2030051216
ACXX2007



Shower bracket

2030051217
ACXX2008

KWC F5E-Therm

Electronic thermostat wall-mounted mixer with hand-shower connection and battery operation

Modell-Linie: F5E | F5ET2003

Showers | Electronic self closing shower



Thermal disinfection unit for F5E-Therm thermostatic wall mixers

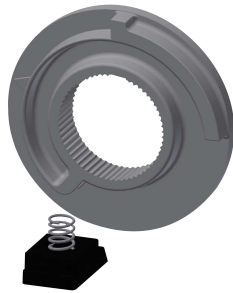
2030039541
ACET9001

Spare Parts



Temperature handle

2030047082
ASXT9003



Temperature stop

2030003296
EAQLT0003



Solenoid valve cartridge

2030003033
EAQFU0001