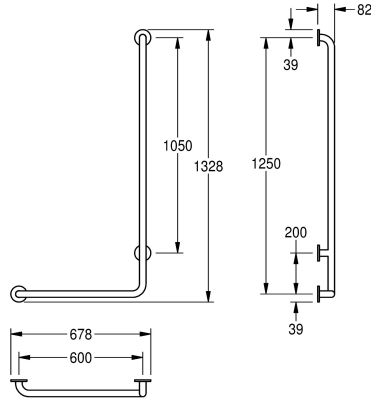


KWC CONTINA

90° angled grab rail, left-hand version

Modell-Linie: CONTINA | CNTX20WL

Grab rails | Grab rail



KWC-No.

2030038220

Left-hand version, 678 x 1328 x 82 mm (W x H x D)

2030038221

Right-hand version, dimension 678 x 1328 x 82 mm (W x H x D)

2030038223

Left-hand version, dimensions 493 x 828 x 82 mm (W x H x D)

2030038225

Right-hand version, dimension 493 x 828 x 82 mm (W x H x D)

direction

left

right

left

right

overall width

678 mm

678 mm

493 mm

493 mm

90° angle grab rail for wall mounting, stainless steel, surface satin finished, rough polishing for better surface feel, 32 mm pipe diameter, material thickness 1.2 mm, wall distance 82 mm, with three stainless steel covers for hidden mounting, includes stainless

steel screws and dowels.

Type left

Dimensions 678 x 1328 x 82 mm (W x H x D)

Technical Data

bending angle

90 Degree

colour

no colour

direction

left

number of fixing points

3

hidden fixing

yes

hinged

no

material

stainless steel

material code

1.4301 Chrome Nickel steel V2A

material thickness

1.2 mm

overall depth

82 mm

overall height

1,328 mm

overall width

678 mm

pipe diameter

32 mm

surface finish

satin finished

type of fixing

screw

type of grab rail

angle bar

type of mounting

wall mounting