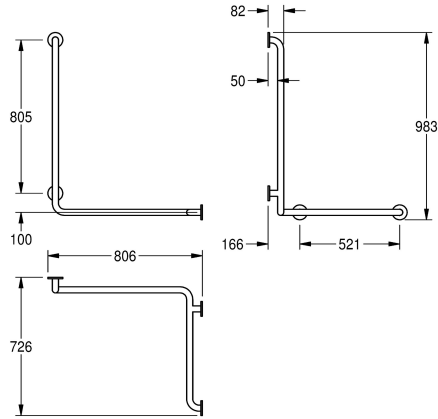
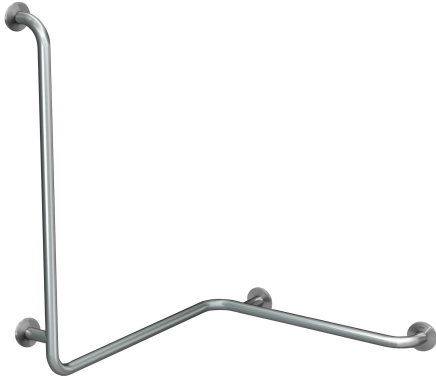


KWC CONTINA Handrail for corners - right

Modell-Linie: **CONTINA | CNTX50WR**
Grab rails | Grab rail



KWC-No.

2030038227

Left-hand version

2030038228

Right-hand version

direction

left

right

90° angle two way bar for wall mounting, horizontal and vertical, stainless steel, surface satin finished, rough polishing for better surface feel, 32 mm pipe diameter, material thickness 1.2 mm, wall distance 82 mm, with four stainless steel covers for hidden

mounting, includes. stainless steel screws and dowels.

Type right

Dimensions 806 x 983 x 726 mm (W x H x D)

Technical Data

bending angle

90 Degree

colour

No colour

direction

right

number of fixing points

4

hidden fixing

yes

hinged

no

material

stainless steel

material code

1.4301 Chrome Nickel steel V2A

material thickness

1.2 mm

overall depth

726 mm

overall height

983 mm

overall width

806 mm

pipe diameter

32 mm

surface finish

satin finished

type of fixing

screw

type of grab rail

angle bar

type of mounting

wall mounting