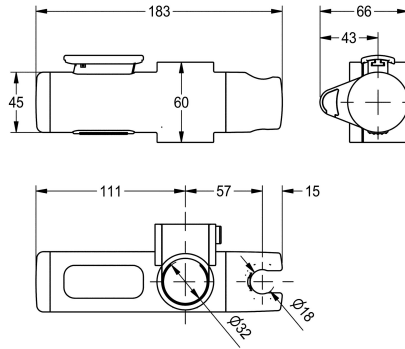


KWC CONTINA Shower head holder

Modell-Linie: **CONTINA | CNTX268**
Showers | Complementary parts showers



KWC-No.

2030038268

Showerhead holder to be mounted on grab rails with 32 mm diameter, chrome-plated ABS plastic, suitable for retrofit installation.

Dimensions 183 x 65 x 66 mm (W x H x D)

Technical Data

| |
|------------------|
| back |
| material |
| overall depth |
| overall height |
| overall width |
| pipe diameter |
| surface finish |
| type of fixing |
| type of mounting |

| |
|--------------------|
| no |
| synthetic |
| 66 mm |
| 65 mm |
| 183 mm |
| 32 mm |
| chromed |
| clamp |
| mounted on product |