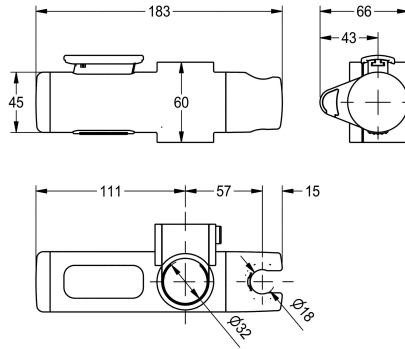


KWC CONTINA Shower head holder

Modell-Linie: **CONTINA | CNTX268**
Showers | Complementary parts showers



KWC-No.

2030038268

Showerhead holder to be mounted on grab rails with 32 mm diameter, chrome-plated ABS plastic, suitable for retrofit installation.

Dimensions 183 x 65 x 66 mm (W x H x D)

Technical Data

back	no
material	synthetic
overall depth	66 mm
overall height	65 mm
overall width	183 mm
pipe diameter	32 mm
surface finish	chromed
type of fixing	clamp
type of mounting	mounted on product