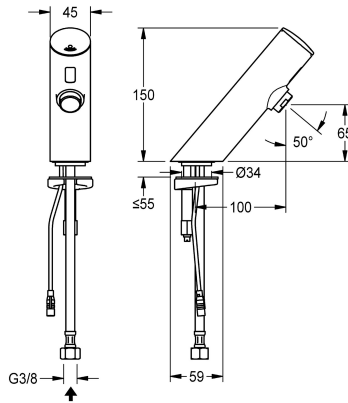


## KWC

### F3E electronic pillar tap for separate power supply

Modell-Linie: F3E | F3EV1005

Taps | Electronic taps



#### KWC-No.

2030039459

#### volume flow rate at 3 bar

0.1 l/s

F3E pillar tap DN 15 for sanitary facilities, opto-electronically controlled. For connection to pre-mixed hot or cold water via hose and strainer. Control electronics, solenoid valve cartridge and sensor in all-metal housing, high-polished chromium-plated brass. Aerator with integrated flow regulator 6.0 l/min. Activated water hygiene

flushing 24 hours after last activation, safety switch-off with continuous reflection and saving of statistical data. With option for parameterization and communication via optional, bidirectional remote control. Separate power supply via power supply unit 6.75 V / 12 V DC.

#### Technical Data

with backflow preventer	no
calculation flow rate cold wat	0.1 l/s
compatible A3000 open	no
default automatic hygiene flus	24h after the last activity
depressurised	no
with filter	yes
functional principle	electronic self-closing
hygiene flushing	yes
diameter nominal	DN 15
inlet size	G 3/8
Locking mechanism	Top section, non-ceramic
material fitting	brass
minimum flow pressure	1 bar
type of mixing	no
Parameterization	remote control
Pop-up waste set	no
power supply connection	6,75 / 12 V DC
position of power connection	from bottom
power consumption	1.5 Voltampere
Type of power supply	Transformer
protective system IP	IP59K
with rosettes/cover plate	no
protective shutdown	yes
sound insulation	no
Spout	fixed



## KWC

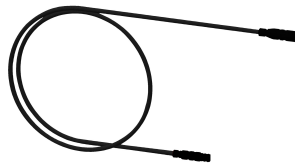
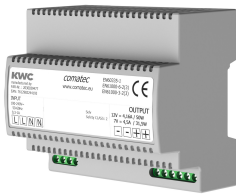
### F3E electronic pillar tap for separate power supply

Modell-Linie: F3E | F3EV1005

Taps | Electronic taps

spout projection	100 mm
surface finish fitting	chromed
surface treatment fitting	polished
temperature limit	no
thermal disinfection	no
with transformer/power supply	no
type of mounting	tap hole
type of operation	sensor operation
type of sensor	opto-electronic sensor
type of tap	pillar tap
volume flow rate at 3 bar	0.1 l/s
water connection	hose (gland nut)
Accent colour	none
Basic colour	chrome-look (glossy)

#### Mandatory Accessories



##### Power supply unit

**2030039477**  
ACEX9001

##### Extension cable 5 m

**2030043814**  
ACEX9010

#### Optional Accessories



##### Bidirectional remote control for electronic fittings F3 and F5

**2030036654**  
ACEX9005

##### 2-button remote control for fittings F3 and F5

**2030036849**  
ACEX9004

##### Aerator

**2000101160**  
ZAQUA087

##### PURETHERM under-table thermostat

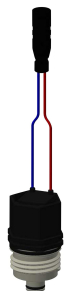
**2030012758**  
PURE0031

## KWC

F3E electronic pillar tap for separate power supply

Modell-Linie: F3E | F3EV1005  
Taps | Electronic taps

### Spare Parts



#### Solenoid valve cartridge

---

**2030003033**  
EAQFU0001

---