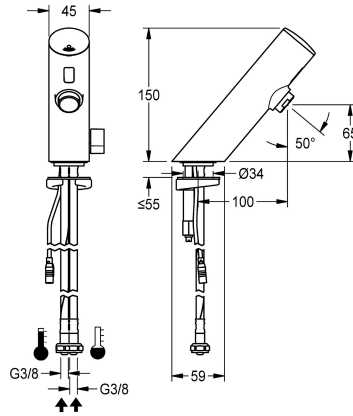


KWC

F3E-Mix electronic pillar mixer for separate power supply

Modell-Linie: F3E | F3EM1005

Taps | Electronic taps



KWC-No.

2030039469

2030039473

with flow regulator 3.0 l/min

volume flow rate at 3 bar

0.1 l/s

0.05 l/s

F3E-Mix pillar mixer DN 15 for sanitary facilities, opto-electronically controlled. For connection to hot and cold water via hoses with integrated backflow preventer and strainers. Control electronics, solenoid valve cartridge and sensor in all-metal housing, high-polished chromium-plated brass, with temperature lever and adjustable, turn-proof temperature stop. Aerator with integrated

flow regulator 6.0 l/min. Activated water hygiene flushing 24 hours after last activation, safety switch-off with continuous reflection and saving of statistical data. With option for parameterization and communication via optional, bidirectional remote control. Separate power supply via power supply unit 6.75 V / 12 V DC.

Technical Data

with backflow preventer

calculation flow rate cold wat

calculation flow rate hot water

compatible A3000 open

default automatic hygiene flus

depressurised

with filter

functional principle

hygiene flushing

diameter nominal

inlet size

Locking mechanism

material fitting

minimum flow pressure

type of mixing

Parameterization

Pop-up waste set

power supply connection

position of power connection

power consumption

Type of power supply

protective system IP

with rosettes/cover plate

yes

0.07 l/s

0.07 l/s

no

24h after the last activity

no

yes

electronic self-closing

yes

DN 15

G 3/8

Top section, non-ceramic

brass-look

1 bar

yes

remote control

no

6,75 / 12 V DC

from bottom

1.5 Voltampere

Transformer

IP59K

no



KWC

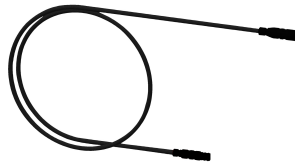
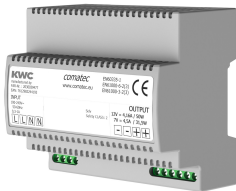
F3E-Mix electronic pillar mixer for separate power supply

Modell-Linie: F3E | F3EM1005

Taps | Electronic taps

protective shutdown	yes
sound insulation	no
Spout	fixed
spout projection	100 mm
surface finish fitting	chromed
surface treatment fitting	polished
temperature limit	yes
thermal disinfection	no
with transformer/power supply	no
type of mounting	tap hole
type of operation	sensor operation
type of sensor	opto-electronic sensor
type of tap	pillar tap
volume flow rate at 3 bar	0.1 l/s
water connection	hose (gland nut)
Accent colour	none
Basic colour	chrome-look (glossy)

Mandatory Accessories



Power supply unit

2030039477
ACEX9001

Extension cable 5 m

2030043814
ACEX9010

Optional Accessories



Bidirectional remote control for



2-button remote control for fittings F3



Aerator



PURETHERM under-table thermostat

KWC

F3E-Mix electronic pillar mixer for separate power supply

Modell-Linie: F3E | F3EM1005
Taps | Electronic taps

electrical fittings F3 and F5

2030036654
ACEX9005

and F5

2030036849
ACEX9004

2000101160
ZAQUA087

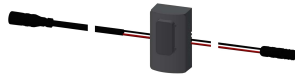
2030012758
PURE0031

Spare Parts



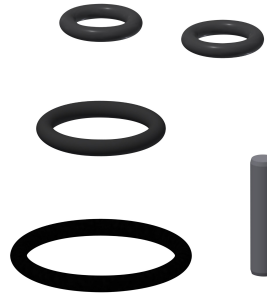
Cap for F3E

2030041514
ASEX1006



Sensor, ID 01/00001

2030041447
ASEX1001



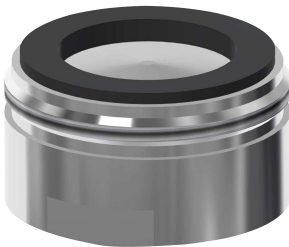
Spare part set

2030042426
ASEX1011



Solenoid valve cartridge

2030045522
ACXX9002



Aerator 6.0 l/min

2000104691
ASXX1015



Hose

2030041320
ASXM1001



Quick-action fastener

2030042441
ASEX1012



Temperature lever

2030042959
ASXM1004