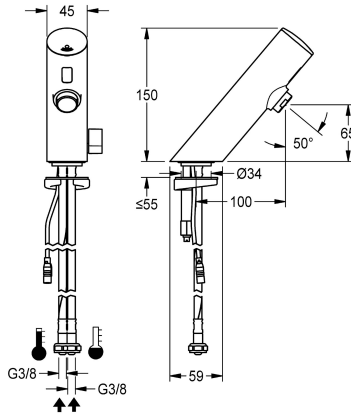


KWC

F3E-Mix electronic pillar mixer for separate power supply

Modell-Linie: F3E | F3EM1005
Taps | Electronic taps



KWC-No.

2030039469

volume flow rate at 3 bar

0.1 l/s

F3E-Mix pillar mixer DN 15 for sanitary facilities, opto-electronically controlled. For connection to hot and cold water via hoses with integrated backflow preventer and strainers. Control electronics, solenoid valve cartridge and sensor in all-metal housing, high-polished chromium-plated brass, with temperature lever and adjustable, turn-proof temperature stop. Aerator with integrated

flow regulator 6.0 l/min. Activated water hygiene flushing 24 hours after last activation, safety switch-off with continuous reflection and saving of statistical data. With option for parameterization and communication via optional, bidirectional remote control. Separate power supply via power supply unit 6.75 V / 12 V DC.

Technical Data

with backflow preventer	yes
calculation flow rate cold water	0.07 l/s
calculation flow rate hot water	0.07 l/s
compatible A3000 open	no
default automatic hygiene flush	24h after the last activity
depressurised	no
with filter	yes
functional principle	electronic self-closing
hygiene flushing	yes
diameter nominal	DN 15
inlet size	G 3/8
Locking mechanism	Top section, non-ceramic
material fitting	brass
minimum flow pressure	1 bar
type of mixing	yes
Parameterization	remote control
Pop-up waste set	no
power supply connection	6.75 / 12 VDC
position of power connection	from bottom
power consumption	1.5 Voltampere
Type of power supply	Transformer
protective system IP	IP59K
with rosettes/cover plate	no
protective shutdown	yes
sound insulation	no



KWC

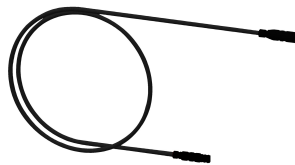
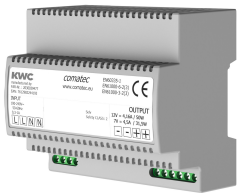
F3E-Mix electronic pillar mixer for separate power supply

Modell-Linie: F3E | F3EM1005

Taps | Electronic taps

Spout	fixed
spout projection	100 mm
surface finish fitting	chromed
surface treatment fitting	polished
temperature limit	yes
thermal disinfection	no
with transformer/power supply	no
type of mounting	tap hole
type of operation	sensor operation
type of sensor	opto-electronic sensor
type of tap	pillar tap
volume flow rate at 3 bar	0.1 l/s
water connection	hose (gland nut)
Accent colour	none
Basic colour	chrome-look (glossy)

Mandatory Accessories



Power supply unit

2030039477
ACEX9001

Extension cable 5 m

2030043814
ACEX9010

Optional Accessories



Bidirectional remote control for electronical fittings F3 and F5

2030036654

2-button remote control for fittings F3 and F5

2030036849

Aerator

2000101160
ZAQUA087

PURETHERM under-table thermostat

2030012758
PURE0031

KWC

F3E-Mix electronic pillar mixer for separate power supply

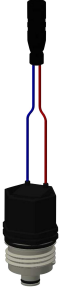
Modell-Linie: F3E | F3EM1005

Taps | Electronic taps

ACEX9005

ACEX9004

Spare Parts



Solenoid valve cartridge

2030045522

ACXX9002
