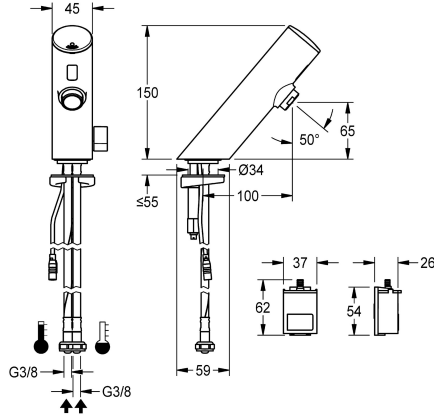


KWC F3E-Mix electronic pillar mixer with battery compartment

Modell-Linie: F3E | F3EM1006
Taps | Electronic taps



KWC-No.

2030033388

2030039470

with flow regulator 3.0 l/min

volume flow rate at 3 bar

0.1 l/s

0.05 l/s

F3E-Mix pillar mixer DN 15 for sanitary facilities, opto-electronically controlled. For connection to hot and cold water via hoses with integrated backflow preventer and strainers. Control electronics, solenoid valve cartridge and sensor in all-metal housing, high-polished chromium-plated brass, with temperature lever and adjustable, turn-proof temperature stop. Aerator with integrated

flow regulator 3.0 l/min. Activated water hygiene flushing 24 hours after last activation, safety switch-off with continuous reflection and saving of statistical data. With option for parameterization and communication via optional, bidirectional remote control. With battery compartment including 6 V lithium battery (CR-P2) for installation under the washbasin.

Technical Data

with backflow preventer

calculation flow rate cold wat

calculation flow rate hot water

compatible A3000 open

default automatic hygiene flus

depressurised

with filter

functional principle

hygiene flushing

diameter nominal

inlet size

Locking mechanism

material fitting

minimum flow pressure

type of mixing

number of batteries

Parameterization

Pop-up waste set

power supply connection

position of power connection

power consumption

Type of power supply

protective system IP

yes

0.07 l/s

0.07 l/s

no

24h after the last activity

no

yes

electronic self-closing

yes

DN 15

G 3/8

Top section, non-ceramic

brass-look

1 bar

yes

1

remote control

no

Battery 6 V

from bottom

1.5 Voltampere

Battery

IP59K



KWC

F3E-Mix electronic pillar mixer with battery compartment

Modell-Linie: F3E | F3EM1006

Taps | Electronic taps

with rosettes/cover plate	no
protective shutdown	yes
sound insulation	no
Spout	fixed
spout projection	100 mm
surface finish fitting	chromed
surface treatment fitting	polished
temperature limit	yes
thermal disinfection	no
with transformer/power supply	no
type of batteries	CR-P2 Lithium battery 6V
type of mounting	tap hole
type of operation	sensor operation
type of sensor	opto-electronic sensor
type of tap	pillar tap
volume flow rate at 3 bar	0.05 l/s
water connection	hose (gland nut)
Accent colour	none
Basic colour	chrome-look (glossy)

Optional Accessories



Bidirectional remote control for electronic fittings F3 and F5

2030036654
ACEX9005



2-button remote control for fittings F3 and F5

2030036849
ACEX9004



Theft-proof housing for aerator

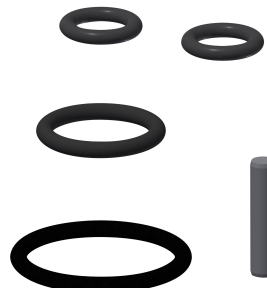
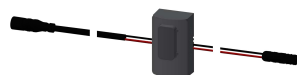
2000104778
ZTAPS0005



PURETHERM under-table thermostat

2030012758
PURE0031

Spare Parts



KWC

F3E-Mix electronic pillar mixer with battery compartment

Modell-Linie: F3E | F3EM1006

Taps | Electronic taps

Cap for F3E

2030041514
ASEX1006



Sensor, ID 01/00001

2030041447
ASEX1001



Spare part set

2030042426
ASEX1011



Solenoid valve cartridge

2030003033
EAQFU0001



3.0 l/min. aerator

2030041424
ASXX1008



Hose

2030041320
ASXM1001



Quick-action fastener

2030042441
ASEX1012

Lithium battery 6 V

2000104846
EPRTR0008

Temperature lever

2030042959
ASXM1004