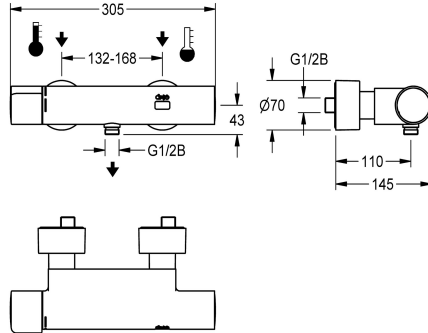


## KWC F5E-Therm electronic thermostatic wall-mounted mixer with hand-shower connection and battery operation

**Modell-Linie: F5E | F5ET2008**  
Showers | Electronic self closing shower



### KWC-No.

**2030036691**

**2030039548**

Version with pre-assembled thermal disinfection unit

### thermal disinfection

yes

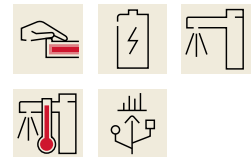
automatic thermal disinfection

F5E-Therm thermostatic mixer DN 15 for wall mounting, for shower facilities. Electronically controlled, for connection to hot water and cold water. Thermostat with metal handle and adjustable, turn-proof temperature stop. With option for thermal disinfection, manually or automatically via pre-assembled disinfection unit. Control electronics, solenoid valve cartridge, 6 V lithium battery (CR-P2) and touch sensor in scald-protected safe-touch housing, with

hand-shower connection, G 1/2 B. Full-metal version, high-polished chromium-plated brass. With adjustable and lockable connections with backflow preventer and strainers, completely covered with depth-adjustable screw rosettes. Activated water hygiene flushing 24 hours after last activation and saving of statistical data. With option for parameterization and communication via optional, bidirectional remote control.

### Technical Data

additional connections	no
with backflow preventer	yes
calculation flow rate cold water	0.15 l/s
calculation flow rate hot water	0.15 l/s
circulation	no
connection with pay water disp	not possible
default automatic hygiene flush	24h after the last activity
default flow time	30 Seconds
with filter	yes
adjustable flow time	yes
functional principle	electronic self-closing
for hand shower	yes
hygiene flushing	yes
diameter nominal	DN 15
inlet size	G 1/2 B
Locking mechanism	Top section, non-ceramic
material casing	brass
material fitting	brass
maximum flow time	255 Seconds
minimum flow pressure	1 bar
minimum flow time	1 Seconds
type of mixing	with thermostat



## KWC F5E-Therm electronic thermostatic wall-mounted mixer with hand-shower connection and battery operation

**Modell-Linie: F5E | F5ET2008**  
Showers | Electronic self closing shower

number of batteries	1
Parameterization	remote control
power supply connection	Battery 6 V
power consumption	1.5 Voltampere
Type of power supply	Battery
protective system IP	IP59K
with rosettes/cover plate	yes
protective shutdown	yes
shower pipe draining	no
sound insulation	no
surface finish casing	chromed
surface finish fitting	chromed
surface treatment fitting	polished
temperature limit	yes
thermal disinfection	automatic thermal disinfection
with transformer/power supply	no
type of batteries	CR-P2 Lithium battery 6V
type of mounting	wall mounting
type of operation	sensor operation
type of sensor	opto-electronic sensor
type of shower	wall fitting
Volume flow rate bypass PWH	0.05 l/s
volume flow rate at 3 bar	0.23 l/s
water connection	S-connections
position of water connection	from backside
Accent colour	none
Basic colour	chrome-look (glossy)

### Optional Accessories



**Bidirectional remote control for electronic fittings F3 and F5**

**2030036654**  
ACEX9005



**2-button remote control for fittings F3 and F5**

**2030036849**  
ACEX9004



**Hand shower**

**2030051216**  
ACXX2007



**Shower bracket**

**2030051217**  
ACXX2008

### Spare Parts

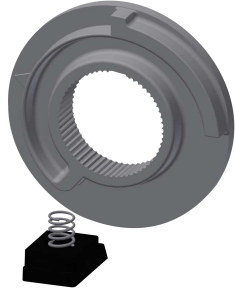
## KWC F5E-Therm electronic thermostatic wall-mounted mixer with hand-shower connection and battery operation

Modell-Linie: F5E | F5ET2008  
Showers | Electronic self closing shower



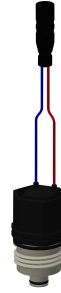
Temperature handle

**2030047082**  
ASXT9003



Temperature stop

**2030003296**  
EAQLT0003



Solenoid valve cartridge

**2030003033**  
EAQFU0001



Solenoid valve cartridge

**2030045522**  
ACXX9002