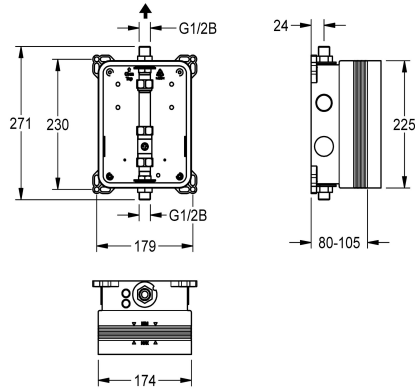


KWC

R3 system box for in-wall valves

Modell-Linie: F3 | F3BV2001

Showers | Basic installation kits for showers



KWC-No.

2030040069

R3 system box for in-wall valves

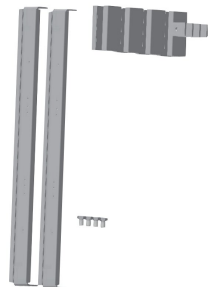
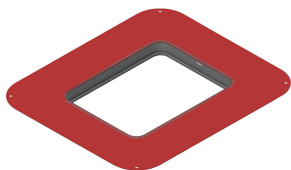
R3 basic installation kit for in-wall mounting of finished installation kits DN 15 without mixing unit, for shower facilities. For connection to pre-mixed hot water or cold water. KWC system box made of

plastic, 174 x 225 mm, with connection screws, shell protection, flush connector for flushing, and leak test.

Technical Data

application	showering
barrier-free	no
Built-in fitting model	Built-in section
diameter nominal	DN 15
material	synthetic
minimum wall thickness	80 mm
type of mixing	no
outlet size	G 1/2 B
position of power connection	from top
type	for built-in with box
type of mounting	in-wall installation with box

Optional Accessories



Sliding adhesive flange

2030041606

ACBX9002

AQUAFIX Traverse

2000106019

ZCMPX006



KWC

R3 system box for in-wall valves

Modell-Linie: F3 | F3BV2001

Showers | Basic installation kits for showers