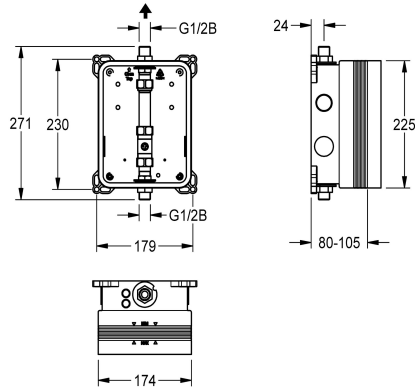


## KWC

### R3 system box for in-wall valves

Modell-Linie: F3 | F3BV2001

Showers | Basic installation kits for showers



#### KWC-No.

**2030040069**

R3 system box for in-wall valves

R3 basic installation kit for in-wall mounting of finished installation kits DN 15 without mixing unit, for shower facilities. For connection to pre-mixed hot water or cold water. KWC system box made of

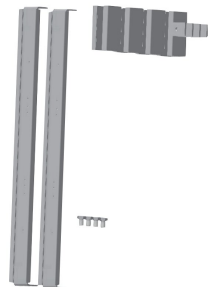
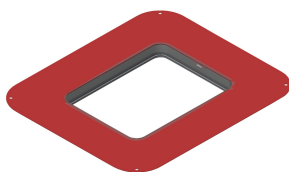
plastic, 174 x 225 mm, with connection screws, shell protection, flush connector for flushing, and leak test.

#### Technical Data

application
barrier-free
Built-in fitting model
diameter nominal
material
minimum wall thickness
type of mixing
outlet size
position of power connection
type
type of mounting

showering
no
Built-in section
DN 15
synthetic
80 mm
no
G 1/2 B
from top
for built-in with box
in-wall installation with box

#### Optional Accessories



#### Sliding adhesive flange

**2030041606**

ACBX9002

#### AQUAFIX Traverse

**2000106019**

ZCMPX006



**KWC**

R3 system box for in-wall valves

**Modell-Linie: F3 | F3BV2001**

Showers | Basic installation kits for showers