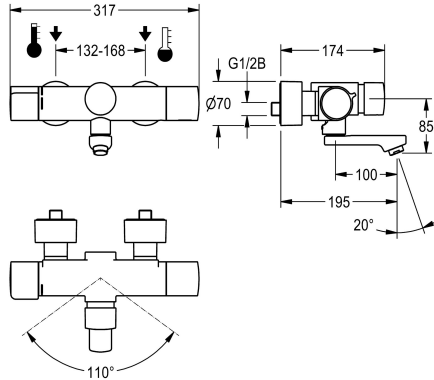


KWC F5S-Therm Self-closing thermostatic wall-mounted mixer

Modell-Linie: F5S | F5ST1005
Taps | Self closing taps



KWC-No.

2030040243
Projection 195 mm

2030040242
Projection 135 mm

2030040288
Projection 255 mm

spout projection

195 mm

135 mm

255 mm

F5S-Therm self-closing thermostat wall mixer DN 15 for wall mounting with lockable swivelling spout, for sanitary facilities. Hydraulically controlled, connects to hot water and cold water. With a pre-assembled hygiene unit including sensor with control electronics and 6 V lithium battery (CR-P2) for automatic hygiene flushing and storage of statistical data. FRAMIC self-closing cartridge, hydraulically controlled, low-maintenance and stagnation-free, with ceramic disc technology, self-closing, flow pressure-independent due to medium-separated design. Stepless adjustment of flow duration. Thermostat with metal handle with

adjustable and turn-proof temperature stop, with option for performance of manual thermal disinfection. Scald-protected, safe-touch housing, all-metal construction, high-polished chromium-plated brass. Laminar jet controller with integrated flow regulator 6.0 l/min. With adjustable and lockable connections with backflow preventer and strainers, completely covered with depth-adjustable screw rosettes. Projection 195 mm. Activated hygiene flushing, fixed interval of 24 hours. With option for parameterization and communication via optional, bidirectional remote control.

Technical Data

with backflow preventer

yes

calculation flow rate cold wat

0.07 l/s

calculation flow rate hot wate

0.07 l/s

compatible A3000 open

no

default automatic hygiene flus

fixed interval 24 hours

depressurised

no

with filter

yes

adjustable flow time

yes

functional principle

hydraulic self-closing

hygiene flushing

yes

diameter nominal

DN 15

inlet size

G 1/2 B

Locking mechanism

Top section, ceramic

material fitting

brass

maximum flow time

35 Seconds

minimum flow pressure

1 bar

minimum flow time

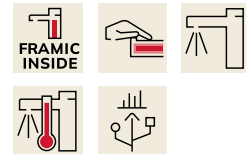
5 Seconds

type of mixing

with thermostat

number of batteries

1



KWC F5S-Therm

Self-closing thermostatic wall-mounted mixer

Modell-Linie: F5S | F5ST1005

Taps | Self closing taps

Parameterization	remote control
Pop-up waste set	no
power supply connection	Battery 6 V
power consumption	1.5 Voltampere
Type of power supply	Battery
protective system IP	IP59K
with rosettes/cover plate	yes
protective shutdown	no
sound insulation	no
Spout	rotating, bottom
spout projection	195 mm
surface finish fitting	chromed
surface treatment fitting	polished
temperature limit	yes
thermal disinfection	manual thermal disinfection
with transformer/power supply	no
type of batteries	CR-P2 Lithium battery 6V
type of mounting	wall mounting
type of operation	manual operation
type of sensor	opto-electronic sensor
type of tap	bib tap
volume flow rate at 3 bar	0.1 l/s
water connection	S-connections
Accent colour	none
Basic colour	chrome-look (glossy)

Optional Accessories



Bidirectional remote control for electronic fittings F3 and F5

2030036654
ACEX9005



2-button remote control for fittings F3 and F5

2030036849
ACEX9004



Theft-proof housing for aerator

2000104778
ZTAPS0005

Spare Parts

KWC F5S-Therm Self-closing thermostatic wall-mounted mixer

Modell-Linie: F5S | F5ST1005
Taps | Self closing taps



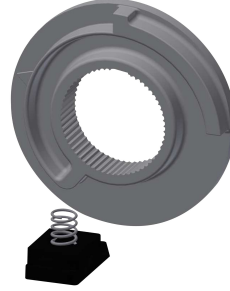
Cover

2030003258
EAQLT0002



Temperature handle

2030050541
ASXT9004



Temperature stop

2030003296
EAQLT0003



Thermocouple

2030003300
EAQLT0004



Screw rosette

2030046777
ASXX9003



Mounting set

2030003401
EAQLT0009



Plug chromed

2030053006
ASSX9004



Push cap

2030050542
ASST9001



Safety ring

2030048357
ASSX9003



FRAMIC Self-closing cartridge

2030046145
ASSX9001



Laminar jet regulator

2030012352
ETAPS0037

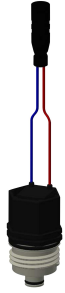


Swivel spout, 100 mm

2030032671
ASXX1001

KWC F5S-Therm Self-closing thermostatic wall-mounted mixer

Modell-Linie: F5S | F5ST1005
Taps | Self closing taps



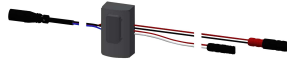
Solenoid valve cartridge

2030045522
ACXX9002



Lithium battery 6 V

2000104846
EPRTR0008



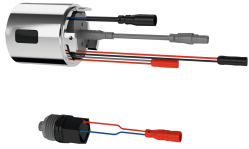
Sensor, ID 81/00001

2030041485
ASLM9001



F5 Foil

2030053034
ASET2010



Hygiene unit for F5S-Therm

2030041162
ACST9001



Hexagonal socket wrench

2030047722
ACEX9011