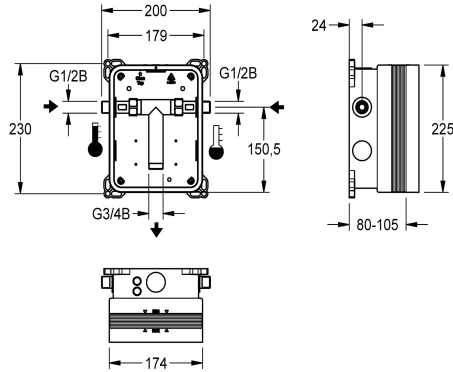
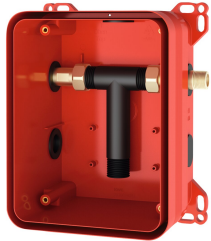


KWC

R3 KWC system box for in-wall mixers

Modell-Linie: F3 | F3BX1001

Taps | Basic installation kits for tap



KWC-No.

2030040479

R3 KWC system box for in-wall mixers

R3 basic installation kit for in-wall mounting of finished installation kits DN 15 with mixing unit, for sanitary facilities. For connection to hot and cold water. KWC system box made of plastic, 174 x 225

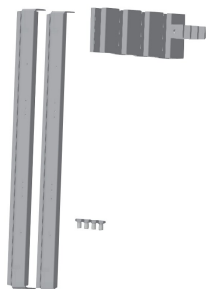
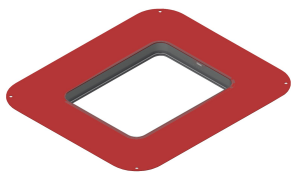
mm, with connection screws, shell protection, flush connector for flushing, and leak test.

Technical Data

| |
|------------------------------|
| application |
| barrier-free |
| Built-in fitting model |
| diameter nominal |
| material |
| minimum wall thickness |
| type of mixing |
| position of power connection |
| type |
| type of mounting |

| |
|-------------------------------|
| washing |
| no |
| Built-in section |
| DN 15 |
| synthetic |
| 80 mm |
| with thermostat / mixer |
| from top |
| for built-in with box |
| in-wall installation with box |

Optional Accessories



Sliding adhesive flange

2030041606

ACBX9002

AQUAFIX Traverse

2000106019

ZCMPX006