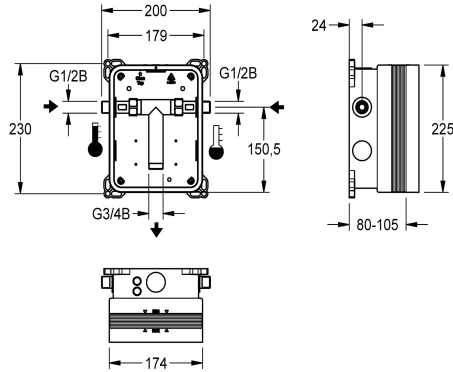
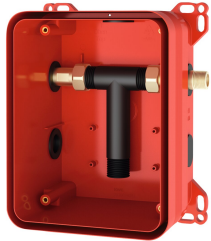


## KWC

### R3 KWC system box for in-wall mixers

Modell-Linie: F3 | F3BX1001

Taps | Basic installation kits for tap



#### KWC-No.

**2030040479**

R3 KWC system box for in-wall mixers

R3 basic installation kit for in-wall mounting of finished installation kits DN 15 with mixing unit, for sanitary facilities. For connection to hot and cold water. KWC system box made of plastic, 174 x 225

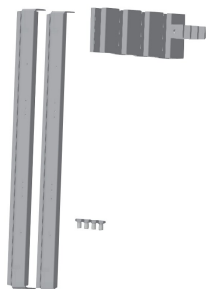
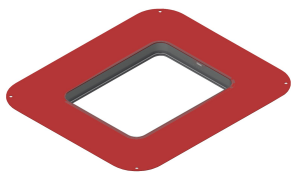
mm, with connection screws, shell protection, flush connector for flushing, and leak test.

#### Technical Data

|                              |
|------------------------------|
| application                  |
| barrier-free                 |
| Built-in fitting model       |
| diameter nominal             |
| material                     |
| minimum wall thickness       |
| type of mixing               |
| position of power connection |
| type                         |
| type of mounting             |

|                               |
|-------------------------------|
| washing                       |
| no                            |
| Built-in section              |
| DN 15                         |
| synthetic                     |
| 80 mm                         |
| with thermostat / mixer       |
| from top                      |
| for built-in with box         |
| in-wall installation with box |

#### Optional Accessories



#### Sliding adhesive flange

**2030041606**

ACBX9002

#### AQUAFIX Traverse

**2000106019**

ZCMPX006