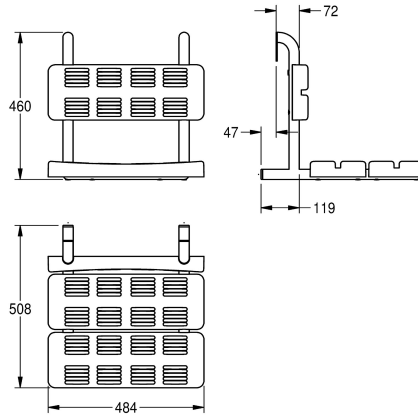


KWC CONTINA Shower seat

Modell-Linie: **CONTINA | CNTX400WB**
Grab rails | Shower seats and backs



KWC-No.

2030041144

CONTINA hanging shower seat, stainless steel main frame, seating and backrest are white battens made from polyethylene, recommended to hang on a contina grab rail, with anti theft device

to secure the seat on the rail.

Dimensions 484 x 460 x 508 mm (W x H x D)

Technical Data

| |
|-----------------------|
| back |
| bending angle |
| colour |
| hidden fixing |
| hinged |
| material |
| material code |
| material thickness |
| Maximum load capacity |
| overall depth |
| overall height |
| overall width |
| pipe diameter |
| surface finish |
| type of fixing |
| type of grab rail |
| type of mounting |

| |
|--------------------------------|
| yes |
| 0 Degree |
| white |
| no |
| no |
| stainless steel |
| 1.4301 Chrome Nickel steel V2A |
| 1.2 mm |
| 110 Kilogram |
| 508 mm |
| 460 mm |
| 484 mm |
| 32 mm |
| satin finished |
| catch |
| showerseat |
| hook mounting |