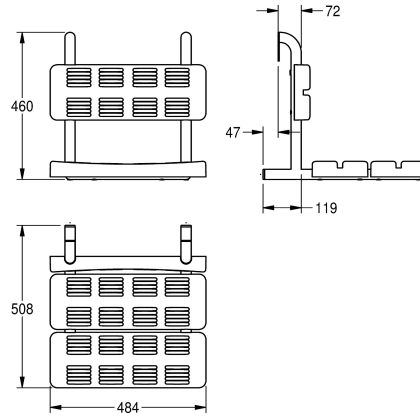


KWC CONTINA Shower seat

Modell-Linie: **CONTINA | CNTX400WB**
Grab rails | Shower seats and backs



KWC-No.

2030041144

CONTINA hanging shower seat, stainless steel main frame, seating and backrest are white battens made from polyethylene, recommended to hang on a contina grab rail, with anti theft device

to secure the seat on the rail.

Dimensions 484 x 460 x 508 mm (W x H x D)

Technical Data

back
bending angle
colour
hidden fixing
hinged
material
material code
material thickness
Maximum load capacity
overall depth
overall height
overall width
pipe diameter
surface finish
type of fixing
type of grab rail
type of mounting

yes
0 Degree
white
no
no
stainless steel
1.4301 Chrome Nickel steel V2A
1.2 mm
110 Kilogram
508 mm
460 mm
484 mm
32 mm
satin finished
catch
showerseat
hook mounting