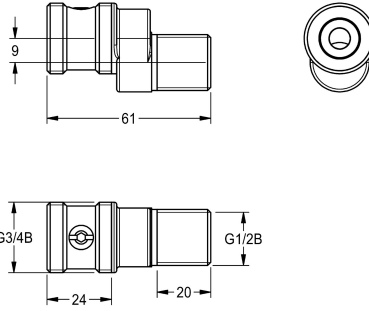


## KWC

### Screw connection

Modell-Linie: F3 | ACXX9001

Showers | Complementary parts showers



#### KWC-No.

**2030041416**

Adjustable and lockable screw connection, packing unit 2 pieces

Adjustable and lockable connection fitting DN 15, polished chromium-plated brass. Packing unit 2 pieces

#### Technical Data

overall depth	26.4 mm
overall height	33 mm
overall width	61 mm
quantity	2
quantity uom	pieces