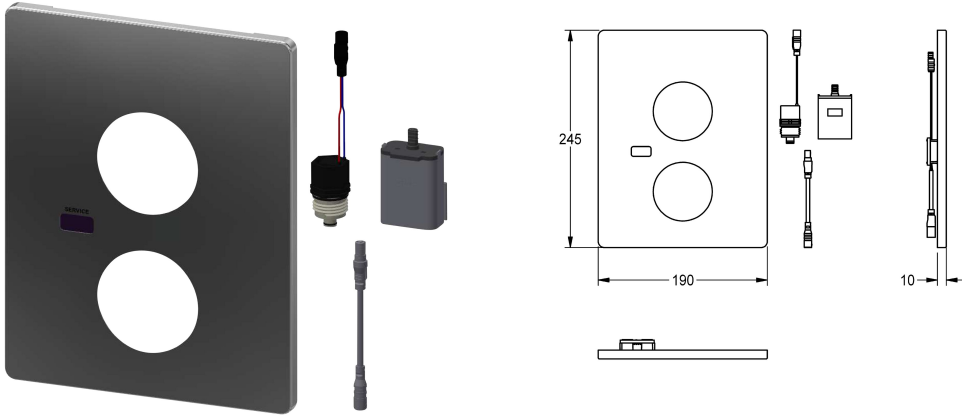


## KWC

Hygiene unit for F5S-Therm

Modell-Linie: F5 | ACST2001

Showers | Complementary parts showers



### KWC-No.

**2030041523**

Hygiene unit for F5S-Therm

Hygiene unit for F5S-Therm self-closing thermostatic mixer for in-wall installation for shower facilities, for performing of automatic hygiene flushing and program-controlled thermal disinfection (additional bypass solenoid cartridge necessary) and storage of statistical data. Stainless steel cover plate 190 x 245 mm including

sensor with control electronics and 6 V lithium battery (CR-P2) as well as solenoid valve cartridge. Activated water hygiene flushing (30 s), fixed interval time 24 hours and saving of statistical data. With option for parameterization and communication via optional, bidirectional remote control.

### Technical Data

number of batteries

1

quantity

1

quantity uom

piece

type of batteries

CR-P2 Lithium battery 6V

### Optional Accessories



**Bidirectional remote control for  
electronical fittings F3 and F5**

**2030036654**

ACEX9005



**2-button remote control for fittings F3  
and F5**

**2030036849**

ACEX9004



**Solenoid valve cartridge**

**2030003033**

EAQFU0001



**Solenoid valve cartridge**

**2030045522**

ACXX9002

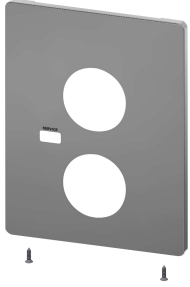
### Spare Parts

## KWC

Hygiene unit for F5S-Therm

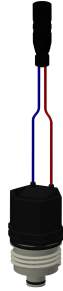
Modell-Linie: F5 | ACST2001

Showers | Complementary parts showers



**Cover plate stainless steel**

**2030049948**  
ASST2002



**Solenoid valve cartridge**

**2030045522**  
ACXX9002



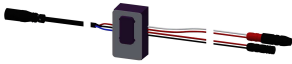
**Battery compartment**

**3600002063**  
ACEX9023



**Lithium battery 6 V**

**2000104846**  
EPRTR0008



**Sensor, ID 81/00001**

**2030041484**  
ASLM2001