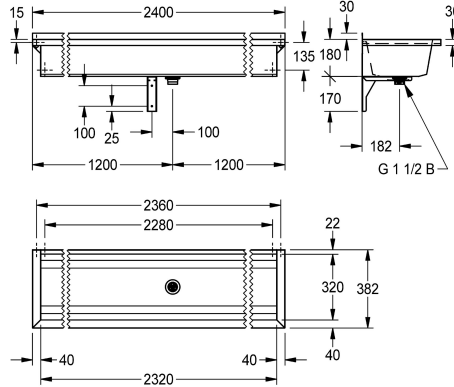
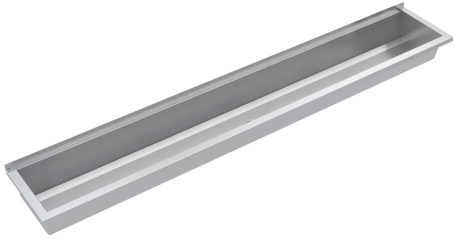


KWC PLANOX

Wash trough

Modell-Linie: PLANOX | PL24

Washbasins & Washtroughs | Washtroughs



KWC-No.

2030043777
Length 600 mm

2030043778
Length 800 mm

2030046721

2030043779
Length 1200 mm

2030043780
Length 1600 mm

2030043781
Length 1800 mm

2030043782
Length 2400 mm

2030043783
Length 3000 mm

overall width

600 mm

800 mm

1,000 mm

1,200 mm

1,600 mm

1,800 mm

2,400 mm

3,000 mm

PLANOX seamless welded washtrough for wall mounting, chromium nickel steel, satin finished surface, material thickness of washtrough 0.8 mm / side panels 1.2 mm, side panels with integrated wall brackets, without tap ledge or overflow, 40 mm rear upstand, central waste, G 1 1/2 B strainer waste, includes mounting

materials. For a length of 1800 mm or more, an additional bracket is supplied. Special lengths are available on request.

Dimensions 2400 x 210 x 382 mm (W x H x D)

Technical Data

splash back height

30 mm

bowl - bowl height

180 mm

bowl - depth

320 mm

bowl - width

2,320 mm

material

stainless steel

material code

1.4301 Chrome Nickel steel V2A

number of waste holes

1

overall depth

382 mm

overall height

210 mm

overall width

2,400 mm

rear upstand

no

splash back

optional

surface finish

satin finished

tap ledge

no

KWC PLANOX

Wash trough

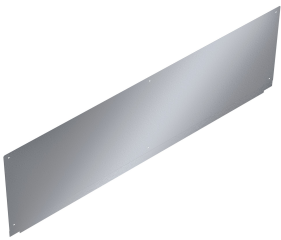
Modell-Linie: **PLANOX | PL24**

Washbasins & Washtroughs | Washtroughs

type of mounting
type of waste kit
waste hole position
waste hole projection
waste kit included

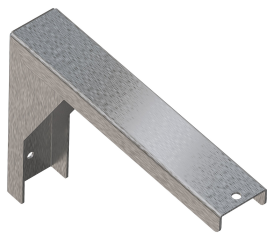
wall mounting
perforated waste
centre
182 mm
yes

Optional Accessories



PLANOX splash back

2030043810
PL24SB



Bracket for PLANOX washtroughs

2030043812
PL18SU



SATURN shelf

2000100088
BXS24



SATURN set of towel rails

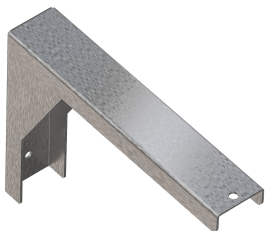
2030046200
TB80



SATURN set of towel rails

2000101452
TB60

Spare Parts





KWC PLANOX

Wash trough

Modell-Linie: **PLANOX | PL24**

Washbasins & Washtroughs | Washtroughs

Bracket for PLANOX washtroughs

2030043812

PL18SU
