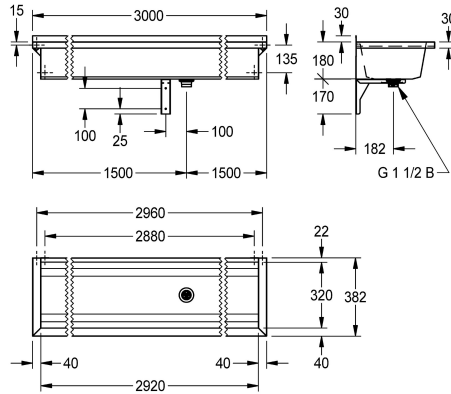
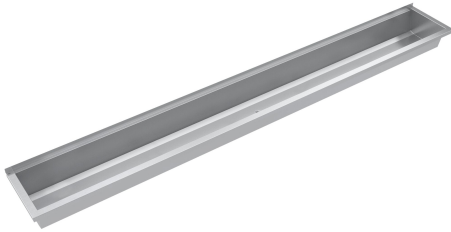


KWC PLANOX

Wash trough

Modell-Linie: PLANOX | PL30

Washbasins & Washtroughs | Washtroughs



KWC-No.

2030043777
Length 600 mm

2030043778
Length 800 mm

2030046721

2030043779
Length 1200 mm

2030043780
Length 1600 mm

2030043781
Length 1800 mm

2030043782
Length 2400 mm

2030043783
Length 3000 mm

overall width

600 mm

800 mm

1,000 mm

1,200 mm

1,600 mm

1,800 mm

2,400 mm

3,000 mm

PLANOX seamless welded washtrough for wall mounting, chromium nickel steel, satin finished surface, material thickness of washtrough 0.8 mm / side panels 1.2 mm, side panels with integrated wall brackets, without tap ledge or overflow, 40 mm rear upstand, central waste, G 1 1/2 B strainer waste, includes mounting

materials. For a length of 1800 mm or more, an additional bracket is supplied. Special lengths are available on request.

Dimensions 3000 x 210 x 382 mm (W x H x D)

Technical Data

splash back height

30 mm

bowl - bowl height

180 mm

bowl - depth

320 mm

bowl - width

2,920 mm

material

stainless steel

material code

1.4301 Chrome Nickel steel V2A

number of waste holes

1

overall depth

382 mm

overall height

210 mm

overall width

3,000 mm

rear upstand

no

splash back

optional

surface finish

satin finished

tap ledge

no

KWC PLANOX

Wash trough

Modell-Linie: PLANOX | PL30

Washbasins & Washtroughs | Washtroughs

type of mounting

wall mounting

type of waste kit

perforated waste

waste hole position

centre

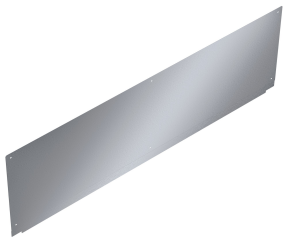
waste hole projection

182 mm

waste kit included

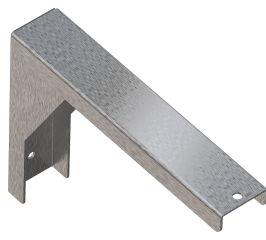
yes

Optional Accessories



PLANOX splash back

2030043811
PL30SB



Bracket for PLANOX washtroughs

2030043812
PL18SU



SATURN Shelf

2030046195
BXS30



SATURN set of towel rails

2000101452
TB60

Spare Parts



Bracket for PLANOX washtroughs

2030043812
PL18SU