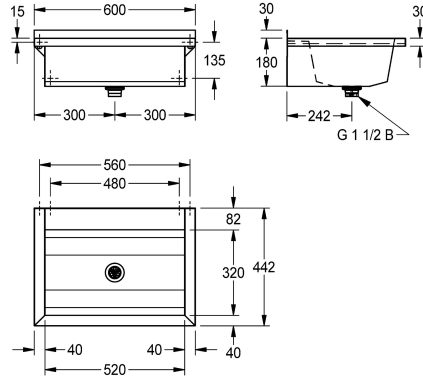


## KWC PLANOX

### Wash trough with tap ledge

Modell-Linie: PLANOX | PL6TCS

Washbasins & Washtroughs | Washtroughs



#### KWC-No.

**2030043791**

Length 600 mm

**2030043792**

Length 800 mm

**2030043793**

Length 1200 mm

**2030043794**

Length 1600 mm

**2030043795**

Length 1800 mm

**2030043796**

Length 2400 mm

**2030043797**

Length 3000 mm

#### overall width

600 mm

800 mm

1,200 mm

1,600 mm

1,800 mm

2,400 mm

3,000 mm

PLANOX seamless welded washtrough for wall mounting, chromium steel, surface high-polished, material thickness of washtrough 0.8 mm / side panels 1.2 mm, side panels with integrated wall brackets, lowered tap ledge 80 mm, without tap holes or overflow, 40 mm rear upstand, central waste, G 1 1/2 B

strainer waste, includes mounting materials. For a length of 1800 mm or more, an additional bracket is supplied. Special lengths are available on request.

Dimensions 600 x 210 x 442 mm (W x H x D)

#### Technical Data

splash back height

30 mm

bowl - bowl height

180 mm

bowl - depth

320 mm

bowl - width

520 mm

material

stainless steel

material code

1.4016 Chromesteel

number of waste holes

1

overall depth

442 mm

overall height

210 mm

overall width

600 mm

rear upstand

no

splash back

optional

surface finish

high polished

tap ledge

yes

type of mounting

wall mounting

type of waste kit

perforated waste

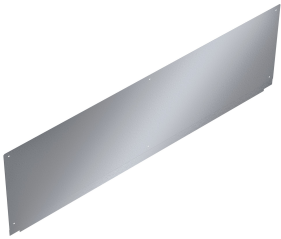
## KWC PLANOX

Wash trough with tap ledge

Modell-Linie: **PLANOX | PL6TCS**  
Washbasins & Washtroughs | Washtroughs

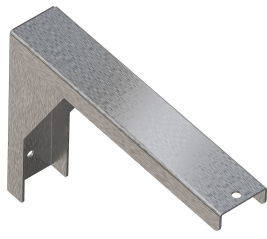
waste hole position	centre
waste hole projection	242 mm
waste kit included	yes

### Optional Accessories



**PLANOX rear wall**

**2030045609**  
PL6SBCS



**Bracket for PLANOX washtroughs**

**2030043812**  
PL18SU



**SATURN Shelf**

**2000056952**  
BXS6



**SATURN set of towel rails**

**2000101452**  
TB60