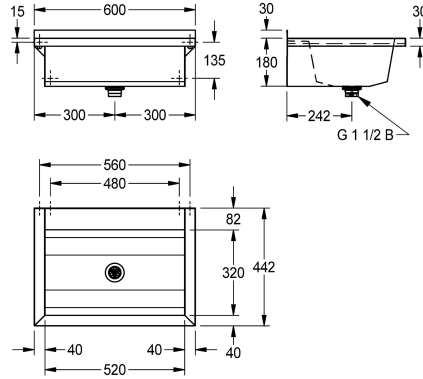


KWC PLANOX

Wash trough with tap ledge

Modell-Linie: PLANOX | PL6TCS

Washbasins & Washtroughs | Washtroughs



KWC-No.

2030043791

Length 600 mm

2030043792

Length 800 mm

2030043794

Length 1600 mm

2030043797

Length 3000 mm

overall width

600 mm

800 mm

1,600 mm

3,000 mm

PLANOX seamless welded washtrough for wall mounting, chromium steel, surface high-polished, material thickness of washtrough 0.8 mm / side panels 1.2 mm, side panels with integrated wall brackets, lowered tap ledge 80 mm, without tap holes or overflow, 40 mm rear upstand, central waste, G 1 1/2 B

strainer waste, includes mounting materials. For a length of 1800 mm or more, an additional bracket is supplied. Special lengths are available on request.

Dimensions 600 x 210 x 442 mm (W x H x D)

Technical Data

splash back height

30 mm

bowl - bowl height

180 mm

bowl - depth

320 mm

bowl - width

520 mm

material

stainless steel

material code

1.4016 Chromesteel

number of waste holes

1

overall depth

442 mm

overall height

210 mm

overall width

600 mm

rear upstand

no

splash back

optional

surface finish

high polished

tap ledge

yes

type of mounting

wall mounting

type of waste kit

perforated waste

waste hole position

centre

waste hole projection

242 mm

waste kit included

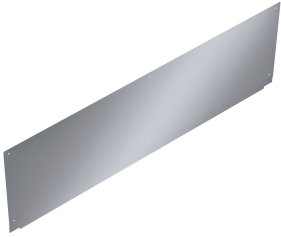
yes

Optional Accessories

KWC PLANOX

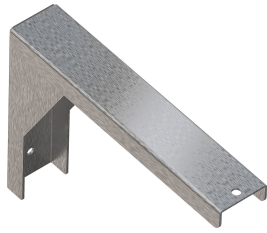
Wash trough with tap ledge

Modell-Linie: **PLANOX | PL6TCS**
Washbasins & Washtroughs | Washtroughs



PLANOX rear wall

2030045609
PL6SBCS



Bracket for PLANOX washtroughs

2030043812
PL18SU



SATURN Shelf

2000056952
BXSv6



SATURN set of towel rails

2000101452
TB60