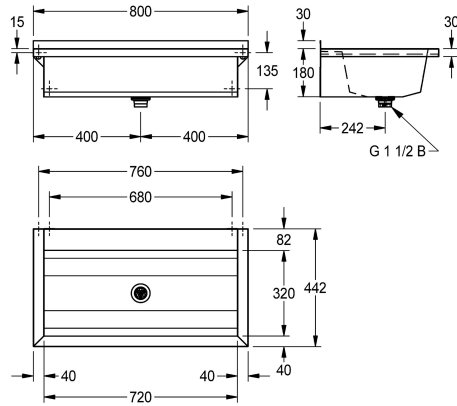


KWC PLANOX

Wash trough

Modell-Linie: PLANOX | PL8TCS

Washbasins & Washtroughs | Washtroughs



KWC-No.

2030043792

Length 800 mm

overall width

800 mm

PLANOX seamless welded washtrough for wall mounting, chromium steel, surface high polished, material thickness of washtrough 0.8 mm / side panels 1.2 mm, side panels with integrated wall brackets, lowered tap ledge 80 mm, without tap holes or overflow, 40 mm rear upstand, central waste, G 1 1/2 B

strainer waste, includes mounting materials. For a length of 1800 mm or more, an additional bracket is supplied. Special lengths are available on request.

Dimensions 800 x 210 x 442 mm (W x H x D)

Technical Data

splash back height
bowl - bowl height
bowl - depth
bowl - width
material
material code
number of waste holes
overall depth
overall height
overall width
rear upstand
splash back
surface finish
tap ledge
type of mounting
type of waste kit
waste hole position
waste hole projection
waste kit included

30 mm
180 mm
320 mm
720 mm
stainless steel
1.4016 Chromesteel
1
442 mm
210 mm
800 mm
no
optional
high polished
yes
wall mounting
perforated waste
centre
242 mm
yes

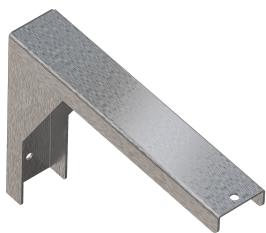
Optional Accessories

KWC PLANOX

Wash trough

Modell-Linie: PLANOX | PL8TCS

Washbasins & Washtroughs | Washtroughs



Bracket for PLANOX washtroughs

2030043812
PL18SU



SATURN set of towel rails

2030046200
TB80