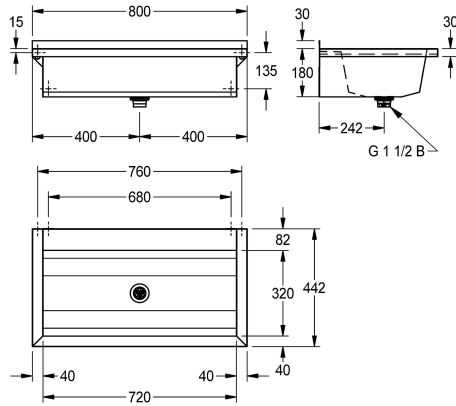


KWC PLANOX

Wash trough

Modell-Linie: PLANOX | PL8TCS

Washbasins & Washtroughs | Washtroughs



KWC-No.

2030043792

Length 800 mm

overall width

800 mm

PLANOX seamless welded washtrough for wall mounting, chromium steel, surface high polished, material thickness of washtrough 0.8 mm / side panels 1.2 mm, side panels with integrated wall brackets, lowered tap ledge 80 mm, without tap holes or overflow, 40 mm rear upstand, central waste, G 1 1/2 B

strainer waste, includes mounting materials. For a length of 1800 mm or more, an additional bracket is supplied. Special lengths are available on request.

Dimensions 800 x 210 x 442 mm (W x H x D)

Technical Data

| |
|-----------------------|
| splash back height |
| bowl - bowl height |
| bowl - depth |
| bowl - width |
| material |
| material code |
| number of waste holes |
| overall depth |
| overall height |
| overall width |
| rear upstand |
| splash back |
| surface finish |
| tap ledge |
| type of mounting |
| type of waste kit |
| waste hole position |
| waste hole projection |
| waste kit included |

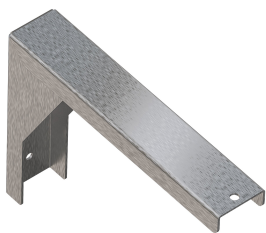
| |
|--------------------|
| 30 mm |
| 180 mm |
| 320 mm |
| 720 mm |
| stainless steel |
| 1.4016 Chromesteel |
| 1 |
| 442 mm |
| 210 mm |
| 800 mm |
| no |
| optional |
| high polished |
| yes |
| wall mounting |
| perforated waste |
| centre |
| 242 mm |
| yes |

Optional Accessories

KWC PLANOX

Wash trough

Modell-Linie: **PLANOX | PL8TCS**
Washbasins & Washtroughs | Washtroughs



Bracket for PLANOX washtroughs

2030043812
PL18SU



SATURN set of towel rails

2030046200
TB80