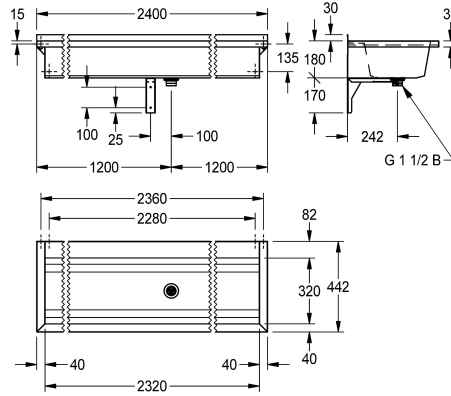
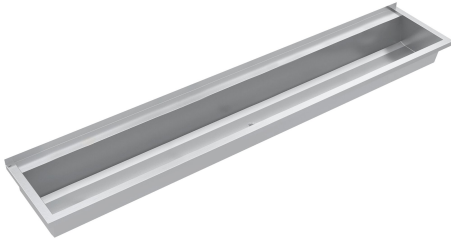


KWC PLANOX

Wash trough

Modell-Linie: PLANOX | PL24TCS
Washbasins & Washtroughs | Washtroughs



KWC-No.

2030043791
Length 600 mm

2030043792
Length 800 mm

2030043793
Length 1200 mm

2030043794
Length 1600 mm

2030043795
Length 1800 mm

2030043796
Length 2400 mm

2030043797
Length 3000 mm

overall width

600 mm

800 mm

1,200 mm

1,600 mm

1,800 mm

2,400 mm

3,000 mm

PLANOX seamless welded washtrough for wall mounting, chromium steel, surface high polished, material thickness of washtrough 0.8 mm / side panels 1.2 mm, side panels with integrated wall brackets, lowered tap ledge 80 mm, without tap holes or overflow, 40 mm rear upstand, central waste, G 1 1/2 B

strainer waste, includes mounting materials. For a length of 1800 mm or more, an additional bracket is supplied. Special lengths are available on request.

Dimensions 2400 x 210 x 442 mm (W x H x D)

Technical Data

splash back height

30 mm

bowl - bowl height

180 mm

bowl - depth

320 mm

bowl - width

2,320 mm

material

stainless steel

material code

1.4016 Chromesteel

number of waste holes

1

overall depth

442 mm

overall height

210 mm

overall width

2,400 mm

rear upstand

no

splash back

optional

surface finish

high polished

tap ledge

yes

type of mounting

wall mounting

type of waste kit

perforated waste

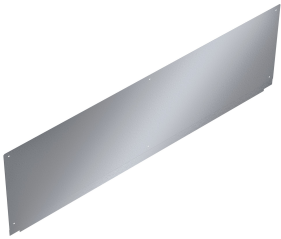
KWC PLANOX

Wash trough

Modell-Linie: **PLANOX | PL24TCS**
Washbasins & Washtroughs | Washtroughs

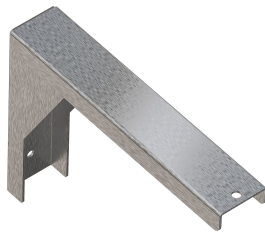
waste hole position	centre
waste hole projection	242 mm
waste kit included	yes

Optional Accessories



PLANOX rear wall

2030045614
PL24SBCS



Bracket for PLANOX washtroughs

2030043812
PL18SU



SATURN shelf

2000100088
BXS24



SATURN set of towel rails

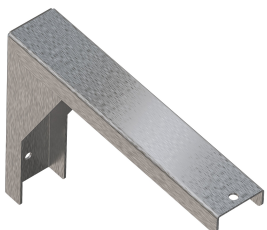
2030046200
TB80



SATURN set of towel rails

2000101452
TB60

Spare Parts



Bracket for PLANOX washtroughs



KWC PLANOX
Wash trough

Modell-Linie: PLANOX | PL24TCS
Washbasins & Washtroughs | Washtroughs

2030043812
PL18SU
