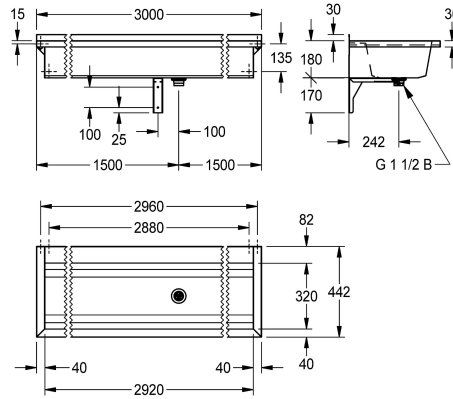
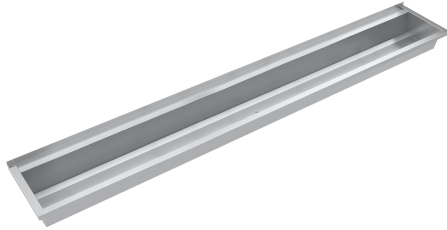


## KWC PLANOX

### Wash trough

Modell-Linie: PLANOX | PL30TCS

Washbasins & Washtroughs | Washtroughs



#### KWC-No.

**2030043791**

Length 600 mm

**2030043792**

Length 800 mm

**2030043794**

Length 1600 mm

**2030043797**

Length 3000 mm

#### overall width

600 mm

800 mm

1,600 mm

3,000 mm

PLANOX seamless welded washtrough for wall mounting, chromium steel, surface high polished, material thickness of washtrough 0.8 mm / side panels 1.2 mm, side panels with integrated wall brackets, lowered tap ledge 80 mm, without tap holes or overflow, 40 mm rear upstand, central waste, G 1 1/2 B

strainer waste, includes mounting materials. For a length of 1800 mm or more, an additional bracket is supplied. Special lengths are available on request.

Dimensions 3000 x 210 x 442 mm (W x H x D)

#### Technical Data

splash back height

30 mm

bowl - bowl height

180 mm

bowl - depth

320 mm

bowl - width

2,920 mm

material

stainless steel

material code

1.4016 Chromesteel

number of waste holes

1

overall depth

442 mm

overall height

210 mm

overall width

3,000 mm

rear upstand

no

splash back

optional

surface finish

high polished

tap ledge

yes

type of mounting

wall mounting

type of waste kit

perforated waste

waste hole position

centre

waste hole projection

242 mm

waste kit included

yes

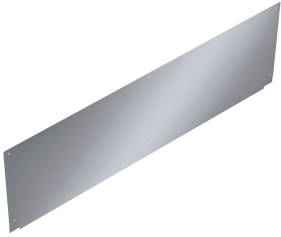
#### Optional Accessories

## KWC PLANOX

Wash trough

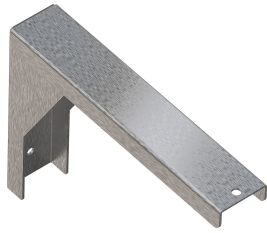
Modell-Linie: PLANOX | PL30TCS

Washbasins & Washtroughs | Washtroughs



**PLANOX rear wall**

**2030045615**  
PL30SBCS



**Bracket for PLANOX washtroughs**

**2030043812**  
PL18SU



**SATURN Shelf**

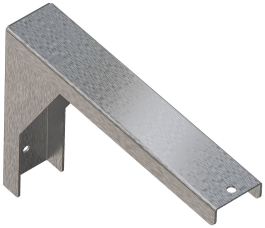
**2030046195**  
BXS30



**SATURN set of towel rails**

**2000101452**  
TB60

### Spare Parts



**Bracket for PLANOX washtroughs**

**2030043812**  
PL18SU