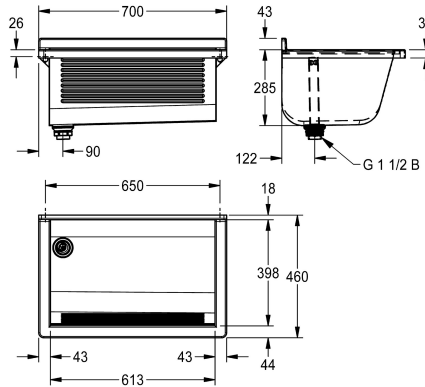


KWC SIRIUS Washtrough

Modell-Linie: SIRIUS | BS311N
Utility sinks | Multi purpose sink



KWC-No.

2030045749

SIRIUS washing trough, dimensions 700 x 325 x 460 mm (W x H x D)

2030045750

right hand waste

waste hole position

left back corner

right back corner

SIRIUS washtrough for wall mounting, stainless steel, satin finished surface, material thickness of trough 0.8 mm / side panels 1.2 mm, side panels with integrated wall brackets, seamlessly welded, front panel with rubbing board, no tap ledge, no overflow, with grey plastic frame, 43 mm rear upstand, left hand waste, G 1 1/2 B

plastic standpipe strainer, includes fixings.

Dimensions 700 x 328 x 460 mm (W x H x D)
Bowl dimensions 613 x 285 x 398 mm (W x H x D)

Technical Data

splash back height

45 mm

bowl position

Center

bowl construction

square corner

bowl - bowl height

285 mm

bowl finish

satin finished

bowl - depth

398 mm

bowl - width

613 mm

brushes

Without brushes

drainer or storage

no

grid

no

material

stainless steel

material code

1.4301 Chrome Nickel steel V2A

material thickness

0.8 mm

number of waste holes

1

outlet size

G 1 1/2 B

overall depth

460 mm

overall height

328 mm

overall width

700 mm

overflow

standpipe overflow

rear upstand

no

wash riffle

yes

spillway

no

splash back

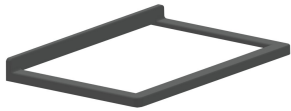
no

KWC SIRIUS Washtrough

Modell-Linie: SIRIUS | BS311N
Utility sinks | Multi purpose sink

sump	no
sump basket	no
surface finish	satin finished
tap ledge	no
type of mounting	wall mounting
type of utility sink	multi purpose sink
type of waste kit	standpipe strainer
number of wash places	1
waste hole position	left back corner
waste hole projection	120 mm
waste kit included	yes
waste size	DN 40

Spare Parts



Cover for utility sink

2000103702
ESIRX025