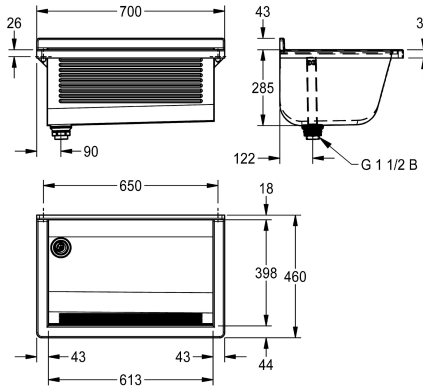


KWC SIRIUS Washtrough

Modell-Linie: SIRIUS | BS311N
Utility sinks | Multi purpose sink



KWC-No.

2030045749

SIRIUS washing trough, dimensions 700 x 325 x 460 mm (W x H x D)

2030045750

right hand waste

waste hole position

left back corner

right back corner

SIRIUS washtrough for wall mounting, stainless steel, satin finished surface, material thickness of trough 0.8 mm / side panels 1.2 mm, side panels with integrated wall brackets, seamlessly welded, front panel with rubbing board, no tap ledge, no overflow, with grey plastic frame, 43 mm rear upstand, left hand waste, G 1 1/2 B

plastic standpipe strainer, includes fixings.

Dimensions 700 x 328 x 460 mm (W x H x D)
Bowl dimensions 613 x 285 x 398 mm (W x H x D)

Technical Data

splash back height
bowl position
bowl construction
bowl - bowl height
bowl finish
bowl - depth
bowl - width
brushes
drainer or storage
grid
material
material code
material thickness
number of waste holes
outlet size
overall depth
overall height
overall width
overflow
rear upstand
wash riffle
spillway
splash back

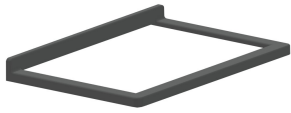
45 mm
center
square corner
285 mm
satin finished
398 mm
613 mm
Without brushes
no
no
stainless steel
1.4301 Chrome Nickel steel V2A
0.8 mm
1
G 1 1/2 B
460 mm
328 mm
700 mm
standpipe overflow
no
yes
no
no

KWC SIRIUS Washtrough

Modell-Linie: SIRIUS | BS311N
Utility sinks | Multi purpose sink

sump	no
sump basket	no
surface finish	satin finished
tap ledge	no
type of mounting	wall mounting
type of utility sink	multi purpose sink
type of waste kit	standpipe strainer
number of wash places	1
waste hole position	left back corner
waste hole projection	120 mm
waste kit included	yes
waste size	DN 40

Spare Parts



Cover for utility sink

2000103702
ESIRX025