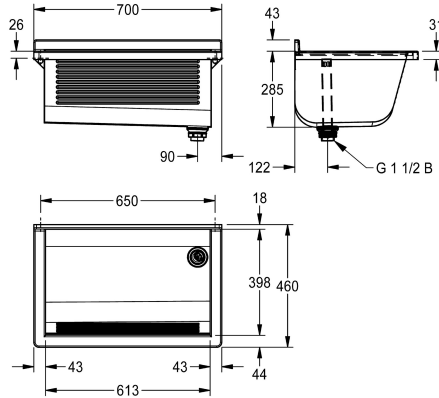


KWC SIRIUS Washtrough

Modell-Linie: SIRIUS | BS312N
Utility sinks | Multi purpose sink



KWC-No.

2030045749

SIRIUS washing trough, dimensions 700 x 325 x 460 mm (W x H x D)

2030045750

right hand waste

waste hole position

left back corner

right back corner

SIRIUS washtrough for wall mounting, stainless steel, satin finished surface, material thickness of trough 0.8 mm / side panels 1.2 mm, side panels with integrated wall brackets, seamlessly welded, front panel with rubbing board, no tap ledge, no overflow, with grey plastic frame, 43 mm rear upstand, right hand drain, G 1 1/2 B

plastic standpipe strainer, includes fixings.

Dimensions 700 x 328 x 460 mm (W x H x D)
Bowl dimensions 613 x 285 x 398 mm (W x H x D)

Technical Data

splash back height

45 mm

bowl position

Center

bowl construction

square corner

bowl - bowl height

285 mm

bowl finish

satin finished

bowl - depth

398 mm

bowl - width

613 mm

brushes

Without brushes

drainer or storage

no

grid

no

material

stainless steel

material code

1.4301 Chrome Nickel steel V2A

material thickness

0.8 mm

number of waste holes

1

outlet size

G 1 1/2 B

overall depth

460 mm

overall height

328 mm

overall width

700 mm

overflow

standpipe overflow

rear upstand

no

wash riffle

yes

spillway

no

splash back

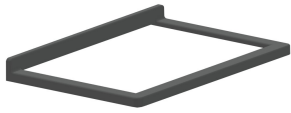
no

KWC SIRIUS Washtrough

Modell-Linie: SIRIUS | BS312N
Utility sinks | Multi purpose sink

| | |
|-----------------------|--------------------|
| sump | no |
| sump basket | no |
| surface finish | satin finished |
| tap ledge | no |
| type of mounting | wall mounting |
| type of utility sink | multi purpose sink |
| type of waste kit | standpipe strainer |
| number of wash places | 1 |
| waste hole position | right back corner |
| waste hole projection | 120 mm |
| waste kit included | yes |
| waste size | DN 40 |

Spare Parts



Cover for utility sink

2000103702
ESIRX025